



[www.v-p-k.ru](http://www.v-p-k.ru)

+7 (800) 777-83-75  
бесплатный

# Инструкция по эксплуатации

Компрессор COMPRAG A4508

Цены на товар на сайте:

<https://www.v-p-k.ru/vintovye-kompressory-comprag-air-station/a-4508/>

© Comprag ®. All rights reserved.

No part of the text and /or diagram may be reprinted or used without the prior written permission of Comprag.

The manufacturer reserves the right to make changes to a product design in order to enhance its technological and operational parameters without notifying the user.

The product type may considerably differ to that displayed in documents.

+7 (800) 777-83-75(звонок бесплатный)

[www.v-p-k.ru](http://www.v-p-k.ru)




A4508

# Table of content


<b>1. Safety guidelines</b>	<b>4</b>
1.1 Symbols used in the instructions	4
1.2 General safety guidelines	4
1.3 Safety precautions for start-up	5
1.4 Safety precautions during operation	6
1.5 Safety precautions for maintenance and repair	7
<b>2. Technical data and functional description</b>	<b>8</b>
2.1 Technical data	8
2.2 General description	9
2.3 Function diagram and main components	9
2.4 Functional description	10
2.5 Regulating system	10
2.6 Electrical diagram and main components	12
2.7 Electrical connection values	12
<b>3. Start up</b>	<b>13</b>
3.1 Lifting and carrying	13
3.2 Dimensions	13
3.3 Requirements on installation area	14
3.4 Connection to the compressed airline	15
3.5 Connection to power supply	15
<b>4. Operation</b>	<b>17</b>
4.1 Controller and operating panel	17
4.2 Error indication	20
4.3 Starting the compressor	23
4.4 Switching off the compressor	23
<b>5. Maintenance</b>	<b>24</b>
5.1 Maintenance schedule	24
5.2 Checking oil level	24
5.3 Checking drive belt	25
5.4 Replacing oil and oil filter	26
5.5 Replacing air filter	27
5.6 Changing drive belt	27
5.7 Changing air-oil separator	28
5.8 Cleaning radiator	28
5.9 Checking suction valve	29
5.10 Servicing bearings of electric motor	29
<b>6. Fault handling</b>	<b>29</b>
6.1 Faults and corrective actions	29
<b>7. Storage and disposal</b>	<b>30</b>
7.1 Storage conditions	30
7.2 Disposal of oils and process condensate	30


# 1. Safety guidelines

## 1.1 Symbols used in the instructions.

	Lethal hazard.
	Warning.
	Attention.

## 1.2 General safety guidelines.

	Carefully familiarise yourself with the technical documentation, operating instructions and safety guidelines. Most accidents associated with the use of compressor equipment occur as a result of non-compliance with safety guidelines. Prevent hazards from developing and adhere to the safety guidelines. The main rules are given in the following section.
---	---

	The user is solely liable for injuries or damages which occur due to non-compliance with safety guidelines during installation, operation or servicing, as well as unauthorised use of equipment!
---	---

1. The operator must stringently adhere to safety guidelines provided for by these instructions and local legislation!
2. When choosing between these safety guidelines and the regulations provided for by local legislation, those rules which provide for more stringent requirements shall apply.
3. Only trained maintenance personnel with the relevant level of professional training are permitted to operate, service and repair Comprag equipment.
4. Compressed air flowing immediately from the compressor may contain oil and impurities and is not suitable for breathing! Compressed air has to be purified to an air purity grade

suitable for breathing, in accordance with the standards prescribed by local legislation.

5. Compressed air is an extremely hazardous energy source. Compressed air must not be used for unintended purposes! Do not use it to clean clothing and footwear and never point compressed air hoses at people and animals! When using air to clean equipment, take extra caution and wear safety goggles!

6. All maintenance, repair, setup and installation work etc. must be performed while the equipment is turned off, disconnected from the power source, with compressed-air hoses disconnected from the equipment, and with the use of safety goggles! Ensure that equipment is disconnected from the compressed air system and is not under pressure.

### 1.3 Safety precautions for start-up



The user is solely liable for injuries or damages which occur due to non-compliance with safety guidelines during installation, operation or servicing, as well as unauthorised use of equipment!

1. Equipment must only be unloaded/loaded using the appropriate handling devices or hoisters. Equipment must not be manually lifted or moved. Do not leave equipment suspended. Use a helmet during unloading operations.
2. Arrange the equipment in a dry and clean facility which provides shelter from precipitation. The facility must be well ventilated, and forced ventilation should be provided if necessary.
3. Worn, damaged or spoiled compressed-air hoses should not be used. Ensure that hoses correspond to the equipment in terms of nominal diameter and working pressure.
4. When using several compressor stations in a system, each compressor must have a manually operated valve for cutting off any of the compressors in the case of emergency.
5. Explosive and fire-hazardous admixtures such as solvent vapours and carbon dust etc. must not be released into the atmosphere.
6. Ensure unrestricted access to the compressed-air hose from the compressor. Do not clutter it and do not store flammable materials in its immediate vicinity.
7. Do not pinch or deform the compressed-air feed hoses.
8. Do not cover holes used to provide equipment with air for cooling. Ensure the facility is well ventilated.
9. When using remote control, the equipment must give a legible and clear warning of this: 'ATTENTION: this machine is being controlled remotely and may start operating without warning!' An operator who is remotely controlling equipment must ensure that no installation or other work is being performed with the equipment at that moment. Once the equipment is turned off remotely, the operator must ensure that the equipment is actually turned off!

10. Equipment must be earthed. Provide short-circuit protection. The starting knife switch must be in the immediate vicinity of the equipment and protect against unauthorised start-up.



The user bears full responsibility for compliance with the operating conditions of the electrical motor installed in the equipment. Equipment must be used with protection devices. The protection devices must protect the electric motor from short circuits, overloading (systematic and start-up) and open-phase conditions. Installation of protection devices is the responsibility of the user.

11. There must be an information plate affixed next to the control panel on equipment with an independent control system featuring an automatic restart function: 'ATTENTION: This machine may start operating without warning!'

12. Any tanks and vessels working under pressure must be fitted with safety-relief valves! Unauthorised installation, disassembly or adjustment of attached safety-relief valves is not allowed.

## 1.4 Safety precautions during operation.



The user is solely liable for injuries or damages which occur due to non-compliance with safety guidelines during installation, operation or servicing, as well as unauthorised use of equipment!

1. Ensure that hoses correspond to the equipment in terms of nominal diameter and working pressure. Check the attachment of every hose coupling before start-up. An insecurely fastened hose may cause serious injury.
2. Never turn on equipment if you suspect the presence of highly flammable impurities in the air!
3. The operator remotely controlling equipment must ensure that no installation or other work is being performed with the equipment at that moment! An information plate must be affixed to the equipment in relation to this: 'ATTENTION: this machine is being controlled remotely and may start operating without warning!'
4. An operator is not allowed to operate equipment if the operator is fatigued, in a state of intoxication from alcohol, drugs or medicine that reduces the body's reaction time.
5. The equipment must not be operated if parts of the casing have been removed. Doors or panels may be opened for short durations for inspection and scheduled checks. It is advisable to wear hearing protection.



In some types of equipment, open doors or removal of panels during operation may lead to overheating.

6. Personnel in conditions or a facility where the sound pressure level reaches or exceeds 90 dB (A), must wear ear protectors.
7. If the air used for cooling equipment is used while the facility is being heated, undertake measures for it to be filtered so that it is suitable for breathing.
8. Regularly check that:
  - safety devices and attachments are in place;
  - all hoses and pipes are in good condition and sealed;
  - there are no leaks;
  - brackets and structural components are tightened;
  - all electrical cables and contacts are in good condition and safe to use;
  - safety devices are fully functional and there is no contamination etc;
  - all structural components are in working order, with no signs of wear and tear.

## 1.5 Safety precautions for maintenance and repair




The user is solely liable for injuries or damages which occur due to non-compliance with safety guidelines during installation, operation or servicing, as well as unauthorised use of equipment!

1. Only original spare parts and ancillary items may be used. Using spare parts from other manufactures may lead to unpredictable results and consequently accidents.
2. When performing installation and repair work, always wear goggles!
3. Before connecting or disconnecting equipment, disconnect it from the main pneumatic system. Ensure that the hoses aren't under pressure!
4. Before beginning installation or other work, ensure that equipment is not pressurised. Installation work must not be carried out on equipment under pressure.
5. All maintenance work should be carried out only when the temperature of all structural elements falls to room temperature.
6. Never use highly flammable solvents or carbon tetrachloride for cleaning structural elements. When wiping, take precautions against the poisonous vapours of cleaning fluids.
7. When carrying out installation and repair work, an information plate should be affixed to the control panel to warn against unauthorised start-up. For example, "Do not turn on. Personnel operating!"
8. The operator remotely controlling equipment must ensure that no installation or other work is being performed with the equipment at that moment! An information plate must be affixed to the equipment in relation to this: See 1.3.9.
9. Maintain cleanliness in the facility where the equipment is installed. Close open inlets and outlets during installation with dry clothes or paper to prevent rubbish entering the equipment.
10. Welding or other similar operations must not be carried out in the immediate vicinity of the equipment and vessels under pressure.
11. If there is any suspicion of overheating, combustion or other emergency, turn off the equipment. Immediately disconnect it from the power supply. Do not open the doors of equipment until the temperature falls to room temperature, in order to prevent burns or injury.

12. Naked flames must not be used as a light source for inspecting and checking equipment.
13. Never use caustic solvents, which may damage materials of the pneumatic system.
14. After performing installation or other work, ensure that no instruments, rags or spare parts have been left inside the equipment.
15. Pay particular attention to the safety-relief valves. Thoroughly inspect them and remove any dust and dirt. They must not be allowed to suffer any loss in function under any circumstances. Remember that your safety depends on their functionality!
16. Before beginning work in normal mode after maintenance or repair work, check that the working pressure, temperature and other characteristics are correctly set. Ensure that all control devices are installed and functioning properly.
17. When replacing filters, separators etc., wipe away dust, dirt and oil residue from the area where they are installed with a dry cloth.
18. Protect the motor, air filter, electrical components and control components etc. from coming into contact with condensate. For instance, blow down with dry air.
19. Use protective gloves during installation and repair work in order to avoid burns and injury (for instance, during oil change).

## 2. Technical data and functional description

	<p>Entitlement to free handling of faults arising during the guarantee period is forfeited when:</p> <ul style="list-style-type: none"> <li>- No warranty service coupon for the compressor or it is filled out incorrectly</li> <li>- No records for the compressor's scheduled maintenance are entered in the compressor's service book</li> <li>- Unoriginal parts and lubricants are used</li> </ul>
---	--

### 2.1 Technical data

Article	Model	Drive power, compressor (kW)	Max. operating pressure (bar)	Output (m <sup>3</sup> /min)	Rated voltage, compressor (phase/V/Hz)	Noise (dB)	Screw connection	Oil capacity, liter
11100061	A3008	30	8	4,7	3/380/50	70	1-1/4	15
11100062	A3010		10	4,0				
11100063	A3013		13	3,5				
11100071	A3708	37	8	5,9		72		
11100072	A3710		10	5,1				
11100073	A3713		13	4,4				
11100081	A4508	45	8	7,0		73	1-1/2	20
11100082	A4510		10	6,2				
11100083	A4513		13	5,3				
11100091	A5508	55	8	8,7				
11100092	A5510		10	7,7				
11100093	A5513		13	6,5				



## 2.2 General description

The A-Series oil-filled screw compressor series is designed for uninterrupted and efficient compressed-air production.

The A-Series compressor is an electric motor-operated, intake-regulated, belt-driven and air-cooled compressor, enclosed in a sound-insulated canopy. An electronic controller pro-Log with an LCD indicator panel is provided, including start and stop buttons and an emergency stop button. Pressure and temperature relays are used for system control and protection.

## 2.3 Function diagram and main components

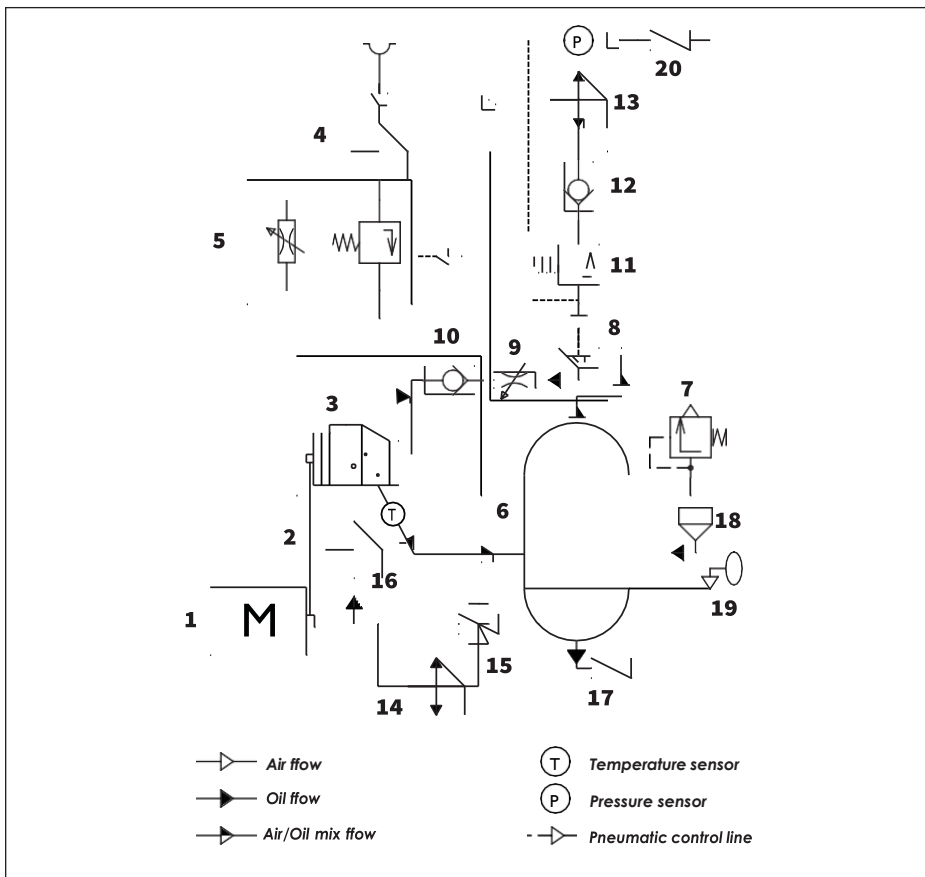


Fig. 2.3 Function diagram A30-A55

## Main components

1	Electric motor	11	Min. Pressure valve
2	Belt drive	12	Non-return valve
3	Air end	13	Heat-exchanger, Air section
4	Air filter	14	Heat-exchanger, Oil section
5	Intake valve	15	Thermostatic valve
6	Air-Oil separation tank	16	Oil filter
7	Safety valve	17	Drain valve
8	Air-Oil separator	18	Oil filling plug
9	Throttle valve	19	Oil level sight glass
10	Non-return valve	20	Air outlet valve

## 2.4 Functional description (see Fig. 2.3)

### Air flow:

Air drawn through Air filter (4) and open Intake valve (5) into compressor Air-end (3) is compressed. Compressed air and oil flow into Air-Oil separation tank (6). The air is discharged via Min. Pressure valve (11) through Heat-exchanger (13) towards the Air Outlet Valve (20).

### Oil flow:

Air pressure forces oil from the air-oil separation tank (6) through the heat-exchanger (14) and the oil filter (16) to the compressor air-end (3) and the lubrication points. In the air-oil separation tank (6), most of the oil is removed centrifugally; the rest is removed by the air-oil separator (8).

The oil system is fitted with a thermostatic valve (15). When the oil temperature is below the set-point of the thermostatic valve, the thermostatic valve shuts off the oil supply from oil heat-exchanger (14). The thermostatic valve starts opening the supply from heat-exchanger (14) when the oil temperature exceeds the valve's setting. The setting of the thermostatic valve depends on the model. See table Technical Data.

### Cooling system:

The cooling system comprises a combined air section (13) and an oil section (14) heat-exchanger. A cooling fan, mounted directly on the motor shaft, generates the cooling air in order to cool the heat-exchanger.

## 2.5 Regulating system

The system is controlled by an electronic controller pro-Log (4) which keeps the net pressure within programmable pressure limits by automatically loading and unloading the compressor in relation to air consumption.

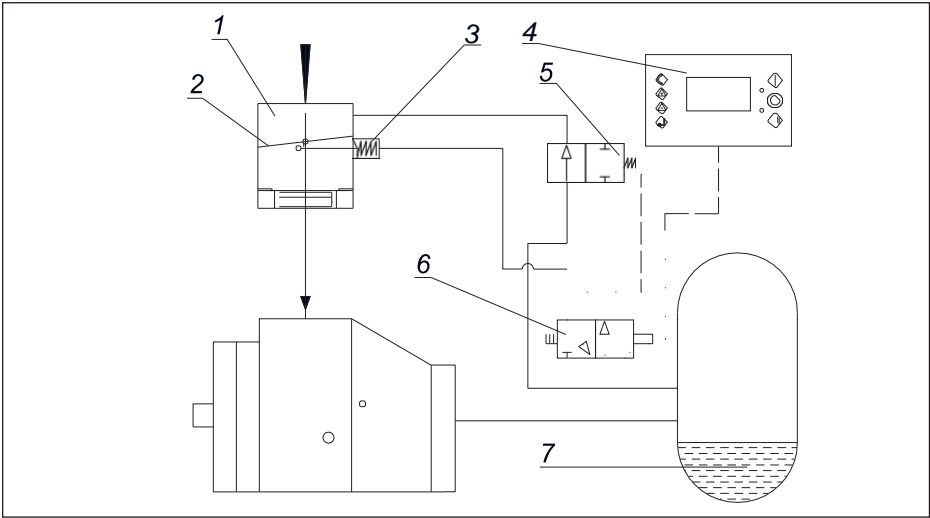


Fig. 2.5 Regulating system

### Unloading:

If air consumption is less than the air delivered by the compressor, the net pressure increases. When the net pressure reaches the upper limit of working pressure (unloading pressure), the solenoid valve (6) is de-energized. The damper (2) of the intake valve (1) closes the air inlet opening by a spring force:

1. The control pressure present in the chambers of the loading plunger (3) and the unloading valve (5) is vented into the atmosphere via the solenoid valve (6).
2. The loading plunger (3) moves forwards and causes the intake valve (1) to close the air inlet opening.
3. The unloading valve (5) is opened by the air-oil separation tank pressure. The pressure from the air-oil separation tank (7) is released towards the air inlet.
4. The pressure is stabilized at a low value, air output is stopped (0 %) and the compressor runs unloaded.

### Loading:

When the net pressure decreases to the loading pressure, the solenoid valve (6) is energized:

1. The control pressure is fed from the air-oil separation tank (7) via the solenoid valve (6) to the loading plunger (3) and the unloading valve (5).
2. The unloading valve (5) closes the air blow-off opening. The loading plunger (3) moves backwards and causes the intake valve (1) to open fully.

Air output is resumed (100 %), and the compressor runs loaded.

## 2.6 Electrical diagram and main components

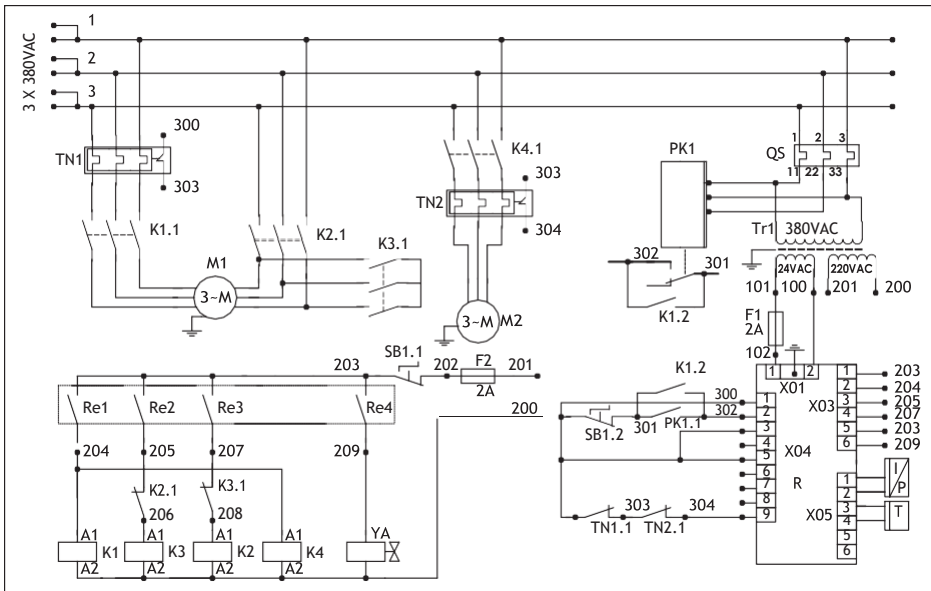


Fig. 2.6 Electrical diagram A30-55

### Main components

K1, K2, K3, K4	Contactors	YA	Solenoid valve
M1, M2	Electric motor	R	Electronic controller
T	Temperature sensor	I/P	Pressure sensor
SB	Emergency stop	TN1, TN2	Overload relay
F1, F2	Fuses	TR	Transformer
PK1.1	Phase sequence relay	QS	Automatic power switch

## 2.7 General description

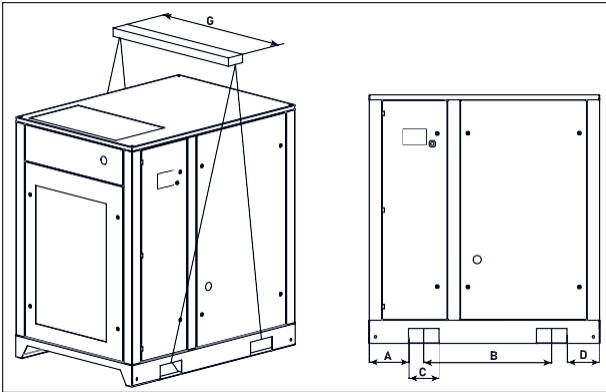
Voltage (V)	Frequency (Hz)	A30..	A37..	A45..	A55..
Material - copper. Cable size (mm <sup>2</sup> )					
380 / 400	50	16	25	35	50
Fuse value (A)					
380 / 400	50	63	80	100	125
Motor overload relay (A)					
380 / 400	50	31,8	38,1	46,2	56

## 3. Start up

### 3.1 Lifting and carrying



All lifting should be carried out using a forklift truck with a carrying capacity suited to the compressor. Lifting may be carried out with loading cranes, winches and other machinery, using a crossbeam with the right length. Local safety guidelines for lifting have to be observed.



For transport with a forklift truck, use the rigging holes in the frame. The compressor has slotted rigging holes with width C – fig. 3.1. Move the compressor carefully.

Fig. 3.1 Lifting and carrying A30-55.

Model	A, mm	B, mm	C, mm	D, mm	G, mm
A30	332	775	185	292	1200
A37				150	1300
A45	540	775	185	292	1200
A55				150	1300

### 3.2 Dimensions

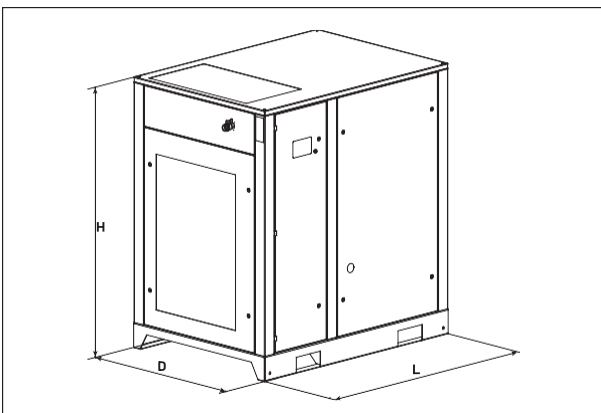


Fig. 3.2 Dimension drawing A30 – A55.

Model	Compressor dimensions				Packaging dimensions			
	Length L, mm	Width D, mm	Height H,mm	Weight, kg	Length L, mm	Width D, mm	Height H,mm	Weight, kg
A30	1400	1000	1500	705	1600	1100	1750	777
A37				745				830
A45	1650	1100	1730	950	1850	1200	1860	1165
A55				1150				1194

### 3.3 Requirements on installation facility

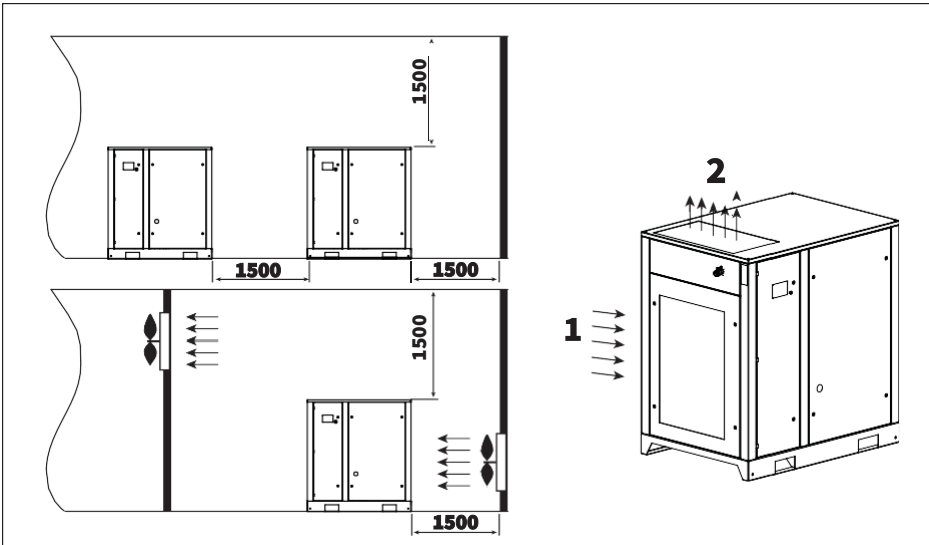


Fig. 3.3 Installation facility proposal A30 – A55.

1. Air inflow
2. Air outflow

Ensure that the floor of the facility can withstand the weight of the compressor. Install the compressor on a level surface that is able to bear its weight.

Adjust the horizontal axis of the compressor using a levelling instrument.

If the compressor is not anchored to the base on which it is installed, the tilt angle with respect to the horizontal surface must not exceed 3°.

If the compressor is anchored to the base on which it is installed, the tilt angle with respect to the horizontal surface must not exceed 7°.

Install the compressor in a facility where precipitation cannot reach.

Choose a facility for installing the compressor with a minimum level of dust. Install the compressor at least 1,5 m from walls.

If multiple compressors are installed, there should be a 1,5 m minimum distance between each compressor.

There should be a 4 m safety distance from the area of the operated equipment connected to the compressor.

The facility in which the compressor is installed must be fitted with a combined extract-and-in-put ventilation system.



The facility where the compressor is installed should be provided with air inflow equivalent to twice the compressor's capacity.

### 3.4 Connection to the compressed airline

Provide the throughput capacity of the compressed-air line in accordance with the performance of the compressor.

In order to avoid damage associated with seal failure of the compressed-air line, the compressor should be connected via a flexible hose.

All components of the compressed-air line must have a working pressure no less than the compressor's nominal pressure.

Use a pressure vessel with a capacity corresponding to the compressor's performance and the compressed air consumer.

### 3.5 Connecting to power supply

The compressor is not supplied with a power cable.

The cable size must be chosen to ensure that the maximum voltage drop not exceed 5 % of the nominal voltage value. Cable length must not exceed 25 m. Ambient temperature in the facility must not exceed 40 °C.

The cable must be sheathed with a fire retardant compound.

An isolating switch must be fitted within reach of the compressor to facilitate connection and maintenance.



The compressor must be earthed and protected against short circuits in each phase, impermissible voltage fluctuation and phase failure.

The power cable has to be fed into the compressor.

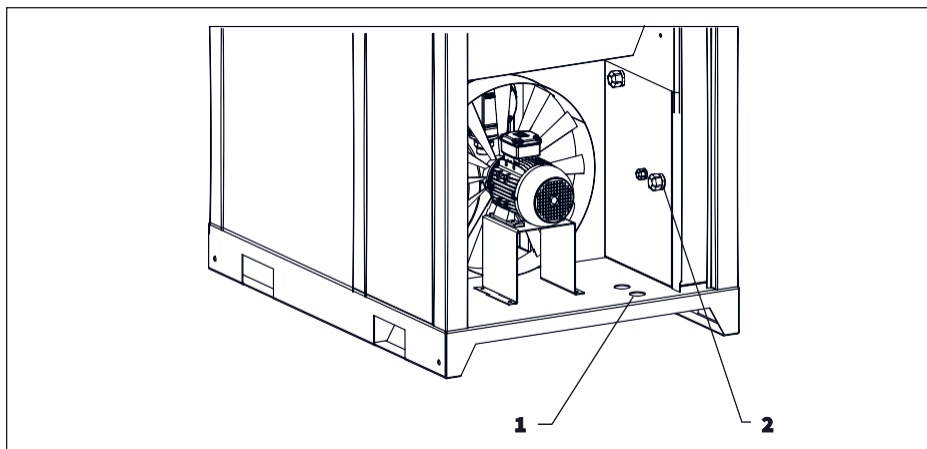


Fig. 3.5.1 Power cable connection

Remove the left side panel, pass the cable under the compressor into the orifice (1) and cable gland (2).

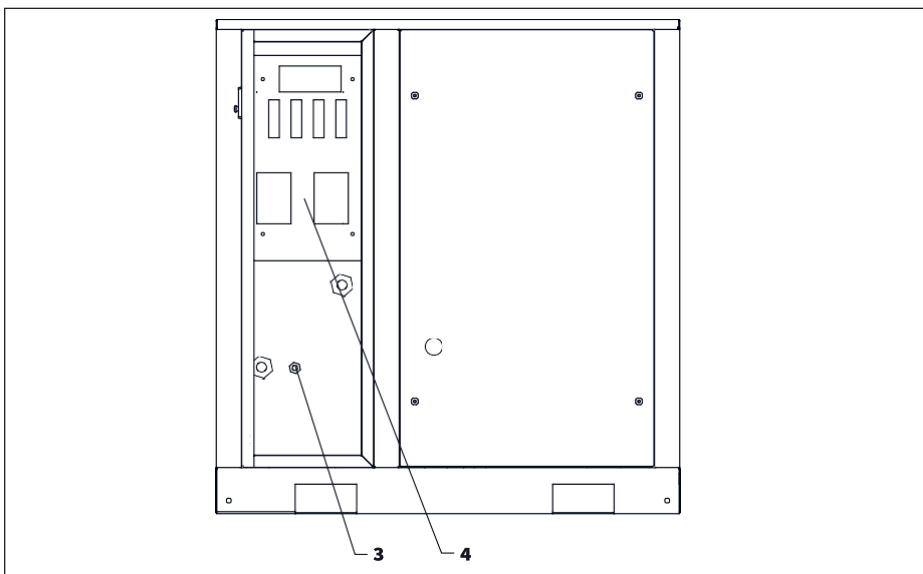


Fig. 3.5.2 Power cable terminal connection

Connect the power supply cables to the terminal 4.

The earth wire of the power cable must be connected to the corresponding earthing bolt 3.



## 4. Operation



Non-qualified personnel must not be allowed to operate the compressor.

### 4.1 Controller and operating panel

The compressors A30 to A55 are equipped with a pro-Log electronic controller. The pro-Log electronic controller maintains the net pressure between programmable limits by automatically loading and unloading the compressor. A number of programmable settings, e.g. the unloading and loading pressures, the minimum stop time and the maximum number of motor starts are taken into account.

The pro-Log electronic controller stops the compressor whenever possible to reduce the power consumption and restarts it automatically when the net pressure decreases. In case the expected unloading period is too short, the compressor is kept running to prevent too short standstill periods.

#### Operating panel

In order to control the compressor and to read and modify programmable parameters the controller has a control panel provided with:

- LEDs indicating the status of the compressor;
- a display indicating the operating conditions, a service need or a fault;
- buttons to control the compressor and access data collected by the controller;
- buttons to manually start and stop the compressor;
- an emergency stop button (separate installed)

#### Control panel buttons

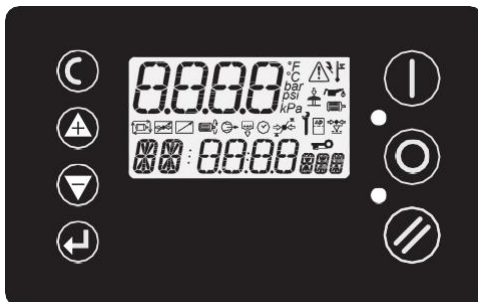









Fig. 4.1 Controller panel

	Start		Escape
	Stop		Up or Increment Value
	Reset		Down or Decrement Value
			Enter

Information displayed on the LCD display.

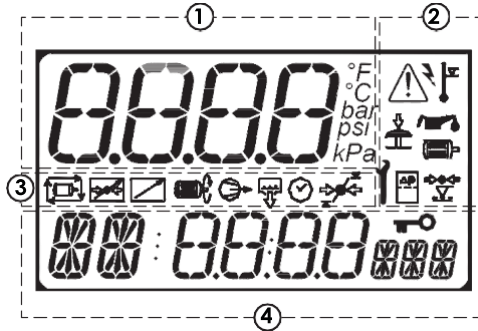







Fig. 4.2 LCD display







The display is divided in to 4 areas.

<b>Top, Left: Display Field:</b>	4 character numeric display, with unit symbols, used to continuously show delivery pressure in normal operating mode or menu page number in menu mode
<b>Top, Right: Fault Symbol Field:</b>	Symbolic displays used to indicate common general fault conditions
<b>Middle:</b>	Symbolic displays used to reinforce meaning of selected item, fault condition. Symbolic status information in normal operational mode 'Information Screen' item
<b>Bottom: Item and Value Field:</b>	Item identification: 2 character alphanumeric, 14 segment Item Value: 4 character numeric, 7 segment Item Unit: 3 character alphanumeric, 14 segment

Operational Display Symbols:

				
Unloading	Loading	Timer	Pressure indicator	Locked

Fault Display Symbols:

		
General fault	Emergency stop	Excess pressure
		
Power failure	Above set temperature limit	Service due, maintenance

Indicator States:

ON: Illuminated continuously

FF: Fast Flash: on/off four times per second

SF: Slow Flash: on/off once per second

IF: Intermittent Flash: on/off every four seconds

OFF: Extinguished continuously

State Number	State description	Status	Fault ●
1	Shutdown Error	OFF	FF
2	Startup Init	OFF	OFF **
3	Start Inhibit Check Start inhibit condition	OFF	OFF **
4	Ready to Start	OFF	OFF **
5	Blowdown	if (load_request) FF else IF	OFF **
6	Standby	IF	OFF **
7	Start Motor in Star/ Delta	if (load_request) FF else IF	OFF **
8	Load Delay	if (load_request) FF else IF	OFF **
9	Load	ON	OFF **
10	Reload Delay	if (load_request) FF else IF	OFF **
11	Standby Run on Time	IF	OFF **
12	Stop Run on Time	SF	OFF **

● \*\* SF for Alarm condition

User menu:

Pos.	Code	Description	Range	Default
1	P00:C>	Information screen	Number of compressor switched on during last one hour	0
2	P00:Td	Delivery air temperature	-10 °C +132 °C	
3	P00:Pd	Delivery air pressure	0-16 bar	
4	P00:H1	Running hours (electric motor on)	0-99999 h	
5	P00:H2	Loaded hours	0-99999 h	
6	P00:H3	ervice hours (countdown timer)	0-99999 h	50

## 4.2 Fault Messages

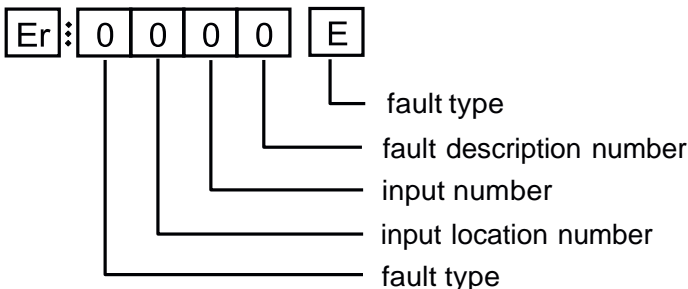
Faults are abnormal operating condition states. Alarms are fault states that indicate normal operating conditions have been exceeded but do not present an immediate hazard or potentially damaging condition. Alarms are intended as a warning only and will not stop the compressor or prevent the compressor from being started and run.

Start inhibits are fault states that prevent the compressor from initially being starting. Start inhibit faults are conditions that may present a hazard or damaging situation if the compressor was to be started. A start inhibit will self reset when the condition being monitored returns to normal operational levels. Start inhibit conditions are only checked during the initial start procedure and will not stop the compressor once started and in the 'started' state. Start inhibit conditions are not checked during an automated motor start from Standby.

Run inhibits are fault states that prevent the compressor from starting and running the main motor. Run inhibit faults are conditions that may present a hazard or damaging situation if the main motor is run. A run inhibit will self reset when the condition being monitored returns to normal operational levels and the compressor will then be allowed to exit the standby condition and run without further manual intervention. Run inhibit conditions are checked prior to a main motor start sequence and will not stop the compressor motor once started. Run inhibit conditions do not prevent the compressor from entering the 'started' state condition.

Shutdown trip errors are fault states that present a hazardous or damaging condition, the compressor is stopped immediately. The Shutdown trip error condition must be resolved, and the fault reset, before the compressor can be re-started.

The different fault state conditions are indicated on the screen with specific codes; the last character indicating the fault type: E = Shutdown Trip Error, A= Alarm, S = Start Inhibit, R = Run Inhibit. Shutdown trip errors are divided into two different categories: immediate shutdown errors and controlled stop errors. Immediate shutdown errors stop the compressor instantly (Emergency Stop button activated for example). Controlled stop errors stop the compressor in a controlled way using a normal Stop command; the motor will continue to run for the set stop run-on-time. Immediate shutdown errors have an error code where the first character is 0 (zero). Controlled stop faults have a "1" as the first character. Alarm faults are also divided into two different categories: alarms and service alarm messages. Alarms start with a "2", service alarm messages with a "4". Start Inhibit fault codes start with a "3".



Fault description number	Fault description
9	High level shutdown trip
8	High level alarm
7	High level start inhibit
6	Special function
5	Sensor error
4	Timeout
3	Low level start inhibit
2	Low level alarm
1	Low level shutdown trip
0	Digital input

Input number	Input
#	Input number for controller input terminal/location

Input location number	Input location description
0	Digital input
1	Analogue input
2 to 7	Not used
8	Special functions
9	Special functions slave unit

Fault Category Number	Fault category description
0	Immediate shutdown trip error
1	Controlled shutdown trip error
2	Alarm
3	Start or run inhibit
4	Service

Fault type	Fault type description
E	Shutdown trip error
A	Alarm (or service message alarm)
S	Start inhibit
R	Run inhibit

## **1. Immediate Stop Shutdown Errors**

### **1.1 Digital Input errors**

Er:0010 E           Emergency stop / phase failure relay  
Er:0080 E           Main motor fault / ventilator motor fault

### **1.2 Analogue Input errors**

Er:0115 E           Delivery pressure sensor fault  
Er:0119 E           Delivery pressure high  
Er:0125 E           Delivery temperature sensor fault  
Er:0129 E           Delivery temperature high

### **1.3 Special function errors**

Er:0821 E           Low resistance, short circuit or short circuit to earth condition exists on an analogue input or digital input (incorrect connection, cable fault or sensor fault)  
Er:0846 E           Delivery pressure sensor range is set too low for default pressure settings to be applied

## **2. Controlled Stop Shutdown Errors**

None

## **3. Alarms**

### **3.1 Digital Input alarms**

### **3.2 Analogue Input alarms**

Er:2118 A           Delivery pressure high  
Er:2128 A           Delivery temperature high

### **3.3 Special function alarms**

Er:2816 A           Power failure occurred while compressor was in the Started state

## **4. Start Inhibits**

none

## **5. Run Inhibits**

Er:3123 R           Delivery temperature Td below the set low temperature run inhibit level, controller will allow motor start when temperature increases above the set level

## **6. Service Alarms**

### **6.1 Special function service alarms**

Er:4804 A           Service hours time expired, service due (reset service hours countdown timer)

## 4.3 Starting the compressor



Before starting check oil level at sight glass on the Air-Oil separation tank.

Switch on the voltage.

Open the air outlet valve.

Press button  "Start" on the control panel.

The compressor starts running in an automatic operation mode, controlled by the pro-Log electronic controller.

## 4.4 Switching off the compressor



To stop the compressor in the case of emergency, press the emergency stop button on the control panel.

After remedying the fault, unlock the button by pulling it out before restarting.

After emergency shutdown of the compressor, it can only be restarted again no sooner than 10 minutes later.

Press button  "Shutdown" on the control panel.

The compressor stops. LCD display is switched off.

Close the air outlet valve.

Switch off the voltage.

# 5. Maintenance

## 5.1 Maintenance schedule

Maintenance schedule

	Daily	Monthly	Yearly	Interval in work hours			
				M-1	M-2	M-3	M-2
				500	2000	4000	6000
Oil level	Check/ Refill						
Compressor oil				Replace	Replace	Replace	Replace
Air filter		Cleaning			Replace	Replace	Replace
Oil filter				Replace	Replace	Replace	Replace
Air-Oil Separator						Replace	
Drive belt		Check					
Heat exchanger		Cleaning					
Bearings of electric motor			Lubricate				
Intake valve			Check				
Minimum pressure valve			Check				
Safety valve			Check				

Beyond 6000 working hours, compressor maintenance consists in alternating M-2 and M-3 every 2000 hours of running time. Performance of daily, weekly, monthly and annual servicing does not annul the need for maintenance in terms of operating hours.

## 5.2 Checking oil level

Check oil level on a daily basis. In order to access the oil level, stop the compressor and remove the front side panel.

The oil level in the compressor should be checked visually with the oil level glass (1) when the compressor has stopped.

The surface of the oil must always be visible in the sight glass.

If no oil is visible in the sight glass, the oil level is low and needs to be topped up. Using belt tension gauge, check the tensile force of the compressor belts.



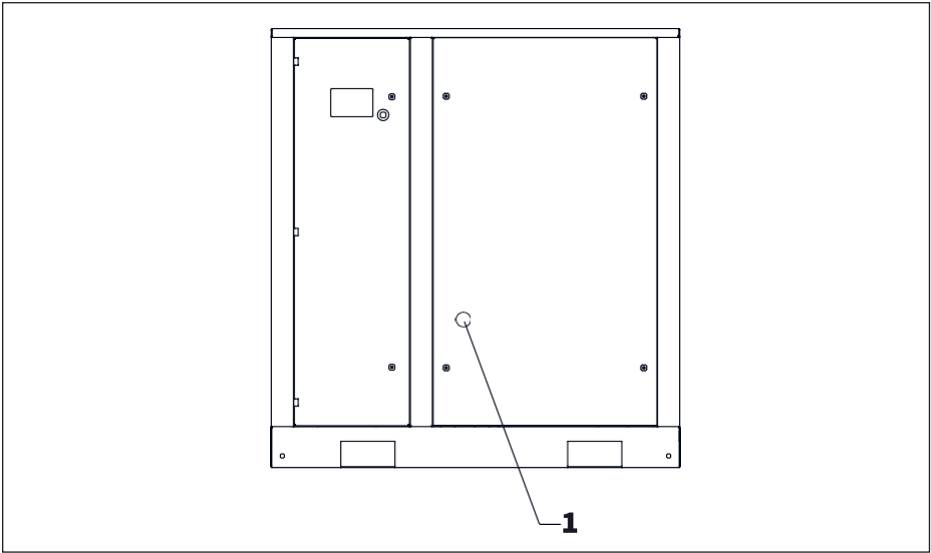
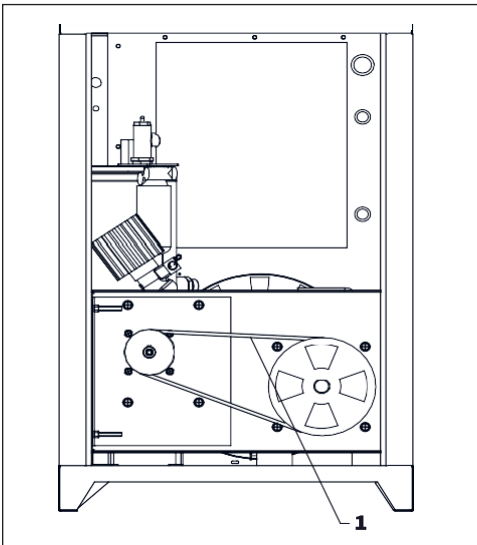


Fig. 5.2 Checking oil level

### 5.3 Checking drive belt

Check on a daily basis drive belts condition and the tension on drive belts.



In order to access the belt, stop the compressor and remove the right side panel. Inspect belts (1) for signs of wear on side edges and for cracks. If belts are damaged, then they should be replaced

Fig. 5.3 Cheking drive belt.

Using belt tension gauge, check the tensile force of the compressor belts.

Model	Maximum working pressure, bar	Tension force F, N
A30	8	350
	10	350
	13	350
A37	8	400
	10	400
	13	400
A45	8	450
	10	450
	13	450
A55	8	650
	10	650
	13	650

## 5.4 Replacing oil and oil filter

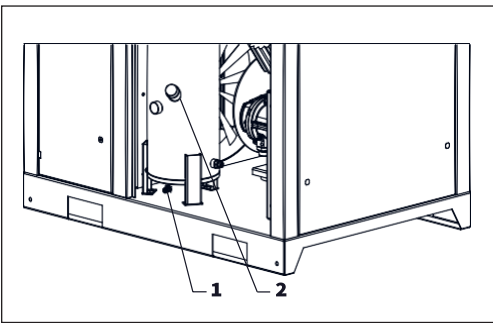


Fig. 5.4.1 Oil replacing

Open the front panel and turn the fill plug (2) one revolution in order vent system pressure.

Remove the fill plug.

Remove plug from the drain valve (1) at the bottom of the Air-Oil separation tank. Drain the oil into a dedicated vessel from the separator tank after opening the drain valve.

Fill the Air-Oil separation tank with oil until it is level with the middle of the sight glass. Refit and tighten the drain valve plug and the fill plug.

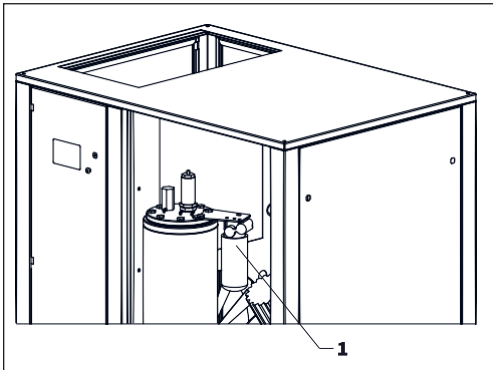


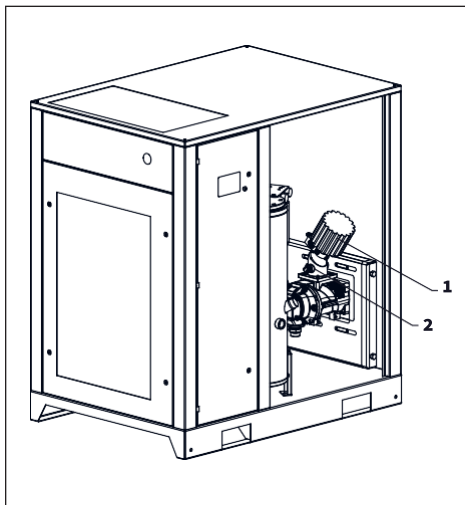
Fig. 5.4.2 Oil filter replacing

Open the front side panel. Remove the oil filter (1) using a special Oil Filter Wrench. Drain the oil from the filter into a dedicated vessel and clean the filter seat.

Oil the gasket of the new oil filter and screw it into place. Only tighten oil filter by hand. Start up the compressor. Stop the compressor and let it run idly for several minutes in order for the oil to circulate and air to be extracted from the oil system. Wait several minutes until the oil settles and the inner pressure drops.

If necessary, unscrew the fill plug and add oil until it is level with the middle of the sight glass. Place the fill plug into its initial position and tighten it.

## 5.5 Replacing air filter



The air filter (1) is attached to the compressor's intake valve.

In order to replace it, open the front side panel, loosen the clamp (2) securing the filter. Remove the contaminated filter, and detach the clamp from it.

Set the new filter in its place and fit into place with the clamp.

Fig. 5.5 Air filter replacing

## 5.6 Changing drive belt

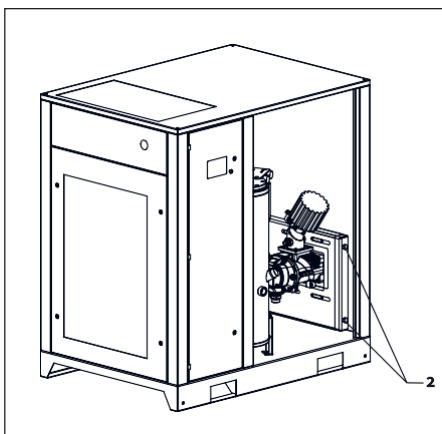
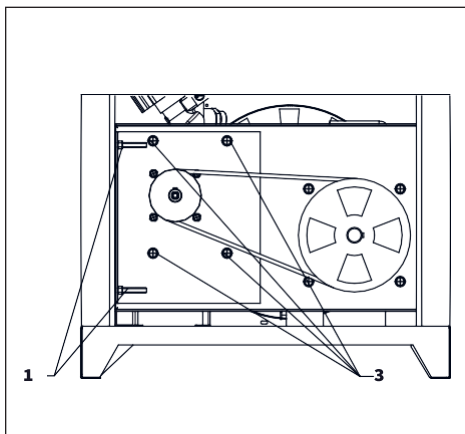
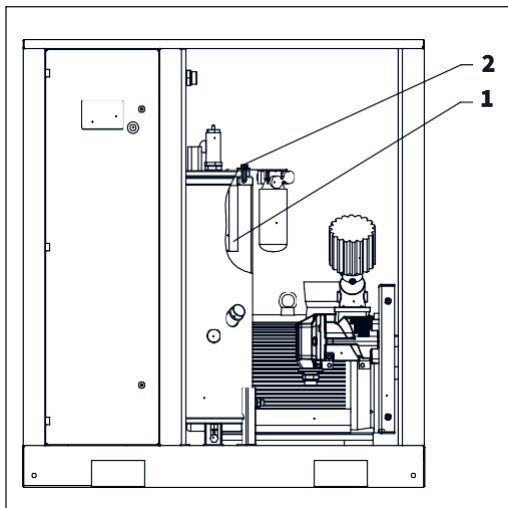


Fig. 5.6 Changing drive belt

Open the front and right side panel, loosen the 4 screws (3) securing the bracket of the air end by turning them 2 revolutions. Loosen the 2 bolts of the support (2) and the 2 corresponding nuts (1) on the tensioner using a wrench. Remove the old belts from the pulleys and install the new belts. After installing the new belt, tighten the belt with the appropriate tensile force (see section 5.3 Checking Drive Belt). Tighten the 2 bolts of the support (2)

and the 2 corresponding nuts on the tensioner. Tighten the 4 screws of the bracket of the air end. Check the belt tension within four hours of the compressor's operation in accordance with section 5.3.

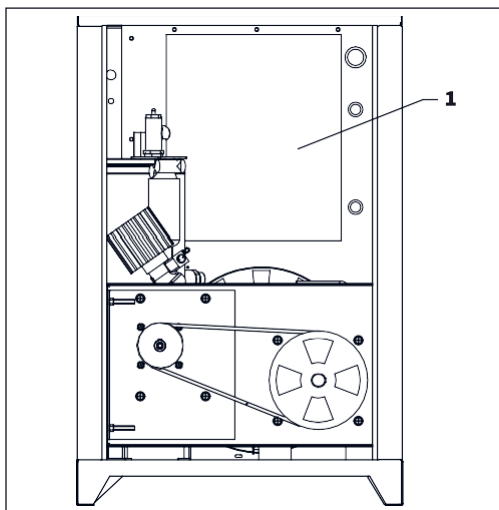
## 5.7 Changing air-oil separator



The separating component (1) is located within the separator tank. Open the front panel in order to change it. Unscrew the bolts (2) and carefully remove the top cap of the tank. Disconnect hoses if they make it difficult to remove the cap. Remove the spent separator and install a new one in its place. Refasten the tank cap.

Fig. 5.7 Changing air-oil separator

## 5.8 Cleaning radiator



In order to access the radiator (1), open the front or right panel. Regularly clean the radiator in order to maintain its cooling efficiency at an acceptable level.

Remove any dirt particles from the radiator using a fibre brush, then aim a jet of compressed air at the radiator from the bottom to the top; the jet should be held at an approximate 90° angle to the plane of the radiator.

Fig. 5.8 Cleaning radiator

## 5.9 Checking suction valve

In order to access the intake valve, the air filter has to be removed in accordance with section 5.5.

Then open the air throttle by hand, ensuring that it has a smooth stroke and can be opened fully. If the air throttle jams or doesn't operate fully, then replace the valve with a new one.

## 5.10 Servicing bearings of electric motor

When the compressor is used, fresh viscous lubricant (formulated for rolling bears) should be added to the motor's bearings.

Lubricant should be added using a special syringe for viscous lubricants through lubricators accommodated in the motor's bearing caps.

The volume of lubricant added can be calculated using the formula:

$$D^2 \text{ motor shaft (mm)} \times 0,005 = M \text{ (lubricant mass)(g)}.$$

Do not over-lubricate the bearings beyond the standard level as all excess lubricant will be squeezed out of the bearings into the motor when the motor is running.

# 6. Fault handling

## 6.1 Faults and corrective actions

Problem	Possible faults	Corrective actions
The compressor starts up with lag. There is a slow build up in the electric motor's speed.	The belt is overtightened	Tighten the belt with the relevant load.
	The oil is thick.	Replace the oil.
There's a whistling during the compressor's operation.	The belt is slipping.	Tighten the belt with the appropriate tensile force (see section 5.3 Checking drive belt).
The compressor won't start. There's a temperature block on the control unit's display.	The ambient air temperature in the facility does not meet the required temperature (below +5 °C or above +40 °C).	Ensure the necessary ambient air temperature where the compressor is installed.
The compressor is overheating.	There's insufficient ventilation in the facility where the compressor is installed.	Increase the air circulation inside the facility.
	The oil level is too low.	Top up oil.
	The radiator is dirty	Blow down the radiator with compressed air.

The safety-relief valve of the separator tank is activated.	The separator is dirty.	Perform maintenance by replacing the separator.
	The pressure is too high (over 13 bar).	Set the working pressure below 13 bar.

## 7. Storage and disposal

### 7.1 Storage conditions

The compressor should be kept at a temperature between -20° and +35° C with max. 85% relative humidity.

### 7.2 Disposal of oils and process condensate

Used oils, greasy filters and separators should be recycled in a sealed container and disposed of at a local recycling or disposal facility. Do not allow precipitation to mix with oil. Process condensate contains oil. Local environmental regulations govern the degree of contamination of condensate discharge into sewers. Use process condensate separators to separate oil and further impurities from condensate.

Replaceable components of a process condensate separator should be disposed of in the same way as greasy wiping cloths.

**© Comrag ®. Alle Rechte vorbehalten.**

**Die Textteile, Abbildungen, Tabellen und Diagramme dürfen nicht ohne Genehmigung der Comrag GmbH kopiert oder veröffentlicht werden.**

**Technische Daten, Spezifikationen und Details dieser Bedienungsanleitung können ohne vorherige Ankündigung geändert werden.**




**Comrag GmbH**

<b>1</b>	<b>Sicherheitsrichtlinien</b>	<b>33</b>
1.1	Symbolerklärung	<b>33</b>
1.2	Allgemeine Sicherheitsrichtlinien	<b>33</b>
1.3	Sicherheitshinweise für die Inbetriebnahme	<b>34</b>
1.4	Sicherheitshinweise für den Betrieb	<b>35</b>
1.5	Sicherheitshinweise für die Wartung und Reparatur	<b>36</b>
<b>2</b>	<b>Technische Daten und Funktionsbeschreibung</b>	<b>37</b>
2.1	Technische Daten	<b>38</b>
2.2	Allgemeine Beschreibung	<b>39</b>
2.3	Ablaufdiagramm und Hauptkomponenten	<b>39</b>
2.4	Funktionsbeschreibung	<b>40</b>
2.5	Pneumatikplan Last- Leerlauf	<b>40</b>
2.6	Elektro-Schaltplan	<b>41</b>
2.7	Elektrische Anschlusswerte	<b>42</b>
<b>3</b>	<b>Inbetriebnahme</b>	<b>42</b>
3.1	Transport	<b>42</b>
3.2	Abmessungen	<b>43</b>
3.3	Voraussetzungen für die Installation am Standort	<b>44</b>
3.4	Anbindung an die Druckluftleitung	<b>45</b>
3.5	Anbindung an das Stromnetz	<b>45</b>
<b>4</b>	<b>Betrieb</b>	<b>47</b>
4.1	Steuer- und Bedieneinheit	<b>47</b>
4.2	Fehlermeldungen	<b>50</b>
<b>5</b>	<b>Wartung</b>	<b>53</b>
5.1	Wartungsplan	<b>53</b>
5.2	Prüfen des Ölstands	<b>54</b>
5.3	Überprüfung des Antriebsriemens	<b>55</b>
5.4	Austausch des Öls und der Ölfilter	<b>56</b>
5.5	Austausch des Luftfilters	<b>57</b>
5.6	Wechsel des Antriebsriemens	<b>57</b>
5.7	Austausch des Luft/Öl-Separators	<b>58</b>
5.8	Wärmeaustauscher reinigen	<b>58</b>
5.9	Ansaugventil überprüfen	<b>59</b>
5.10	Service für die Lager des Elektromotors	<b>59</b>
<b>6</b>	<b>Fehlerbehebung</b>	<b>59</b>
6.1	Fehler und Korrekturmaßnahmen	<b>59</b>
<b>7</b>	<b>Lagerung und Entsorgung</b>	<b>60</b>
7.1	Lagerbedingungen	<b>60</b>
7.2	Entsorgung von Öl und Prozesskondensat	<b>60</b>





# 1. Sicherheitsrichtlinien

## 1.1 Symbolerklärung.

	Lebensgefahr.
	Warnung.
	Achtung.

## 1.2 Allgemeine Sicherheitsrichtlinien.

	Machen Sie sich sorgfältig mit den technischen Dokumenten, Betriebsanleitungen und Sicherheitsrichtlinien vertraut. Ein Großteil der Unfälle im Umgang mit Kompressoranlagen ist auf Nichteinhaltung von Sicherheitsrichtlinien zurückzuführen. Vermeiden Sie unnötige Risiken und halten Sie sich an die Sicherheitsrichtlinien. Die wichtigsten Regeln sind im Folgenden beschrieben.
---	---

	Der Benutzer trägt die volle Verantwortung für Verletzungen oder Schäden, die während der Montage, des Betriebs, der Wartung sowie aufgrund von unberechtigter Nutzung der Anlage auftreten.
---	--

1. Der Betreiber hat die in diesen Anweisungen sowie in den geltenden gesetzlichen Vorschriften enthaltenen Sicherheitsrichtlinien genauestens einzuhalten!
2. Bei Überschneidungen der Sicherheitsrichtlinien mit der örtlichen Gesetzgebung gelten stets die strengeren Vorschriften.
3. Nur Wartungspersonal mit entsprechender Berufsausbildung ist es gestattet, Compaq-Anlagen zu bedienen, zu warten und zu reparieren.
4. Druckluft, die direkt vom Kompressor kommt, kann Öl und Verunreinigungen enthalten und ist nicht als Atemluft geeignet! Druckluft muss in Übereinstimmung mit den geltenden gesetzlichen Vorschriften auf einen zur Atmung geeigneten Luftreinheitsgrad gebracht werden.

5. Druckluft ist eine äußerst gefährliche Energiequelle. Druckluft darf niemals unsachgemäß verwendet werden! Verwenden Sie niemals Druckluft, um Kleidung oder Schuhe zu reinigen und zielen Sie mit Druckluftschläuchen niemals auf Menschen oder Tiere! Bei der Reinigung von Geräten mit Druckluft ist äußerste Vorsicht geboten. Tragen Sie dabei immer eine Schutzbrille!
6. Wartungs-, Reparatur-, Aufbau-, und Montagearbeiten dürfen nur durchgeführt werden, wenn das Gerät ausgeschaltet ist, von der Stromquelle getrennt ist, die Druckluftschläuche vom Gerät getrennt sind und beteiligte Personen Schutzbrillen tragen. Stellen Sie sicher, dass die Anlage vom Druckluftsystem getrennt ist und nicht unter Druck steht.

### 1.3 Sicherheitshinweise für die Inbetriebnahme



Der Benutzer trägt die volle Verantwortung für Verletzungen oder Schäden, die während der Montage, des Betriebs, der Wartung sowie aufgrund von unberechtigter Nutzung der Anlage auftreten..

1. Anlagen dürfen ausschließlich mit entsprechenden Handhabungsgeräten oder Kränen auf-/abgeladen werden. Anlagen dürfen nicht von Hand angehoben oder bewegt werden. Anlagen niemals an Hebezeugen o. Ä. hängen lassen. Beim Abladen immer einen Helm tragen.
2. Stellen Sie die Anlagen in einem trockenen und sauberen Gebäude auf, wo sie vor Niederschlag geschützt sind. Das Gebäude muss ausreichend und bei Bedarf durch Fremdbelüftung belüftet sein.
3. Abgenutzte, beschädigte oder defekte Druckluftschläuche dürfen nicht verwendet werden. Stellen Sie sicher, dass die verwendeten Schläuche hinsichtlich Durchmesser und Betriebsdruck für die jeweiligen Geräte geeignet sind.
4. Sind in einem System mehrere Kompressorstationen vorhanden, benötigt jeder Kompressor ein von Hand betätigtes Ventil zum Abschalten der einzelnen Kompressoren für Notfälle.
5. Explosive und leicht entzündliche Substanzen wie Lösungsmitteldämpfe, Kohlenstaub etc. dürfen keinesfalls in die Atmosphäre freigesetzt werden.
6. Sorgen Sie für ungehinderten Zugang zum Druckluftschlauch vom Kompressor. Der Schlauch sollte nicht verdeckt sein und es dürfen keine brennbaren Materialien in unmittelbarer Nähe gelagert werden.
7. Druckluftschläuche dürfen nicht gequetscht oder verformt werden.
8. Lüftungsöffnungen von Anlagen dürfen nicht abgedeckt werden. Achten Sie darauf, dass das Gebäude gut belüftet ist.
9. Bei Verwendung einer Fernsteuerung muss folgende Warnung gut sichtbar und lesbar am Gerät vorhanden sein: „**ACHTUNG:** Diese Maschine ist ferngesteuert und kann ohne Vorwarnung anlaufen!“ Ein Bediener, der das Gerät fernsteuert, muss sicherstellen, dass zu dem Zeitpunkt keine Montage- oder anderen Arbeiten an der Anlage durchgeführt werden. Wurde das Gerät per Fernsteuerung abgeschaltet, muss der Bediener sicherstellen, dass das Gerät auch tatsächlich ausgeschaltet ist!
10. Anlagen müssen geerdet sein. Kurzschlusschutzvorrichtungen müssen vorhanden sein. Der Not-Aus-Taster muss sich in unmittelbarer Nähe des Geräts befinden und gegen unberechtigte Inbetriebnahme schützen.



Der Benutzer trägt die volle Verantwortung für den ordnungsgemäßen Betrieb des in der Anlage vorhandenen Elektromotors. Anlagen sind nur mit entsprechenden Schutzvorrichtungen zu betreiben.  
Die Schutzvorrichtungen müssen den Elektromotor vor Kurzschlüssen, Überlast (systematisch und bei der Inbetriebnahme) und Phasenausfall schützen.  
Die Montage von Schutzvorrichtungen liegt in der Verantwortung des Benutzers.

11. Bei Geräten mit einem unabhängigen Steuersystem mit automatischer Neustartfunktion muss neben dem Bedienfeld folgender Hinweis stehen: „**ACHTUNG:** Diese Maschine kann ohne Vorwarnung anlaufen!“
12. Sämtliche Tanks und Behälter, die unter Druck stehen, müssen mit Sicherheitsventilen ausgestattet sein! Die unerlaubte Montage, Demontage oder Verstellung der vorhandenen Sicherheitsventile ist nicht gestattet.

## 1.4 Sicherheitshinweise für den Betrieb



Der Benutzer trägt die volle Verantwortung für Verletzungen oder Schäden, die während der Montage, des Betriebs, der Wartung sowie aufgrund von unberechtigter Nutzung der Anlage auftreten..

1. Stellen Sie sicher, dass die verwendeten Schläuche hinsichtlich Durchmesser und Betriebsdruck für die jeweiligen Geräte geeignet sind. Überprüfen Sie die einzelnen Schlauchanschlüsse vor der Inbetriebnahme auf festen Sitz. Eine lose Schlauchverbindung kann schwere Verletzungen verursachen.
2. Anlagen niemals einschalten, wenn leicht entzündliche Luftverunreinigungen vermutet werden.
3. Der Bediener, der das Gerät fernsteuert, muss sicherstellen, dass zu dem Zeitpunkt keine Montage- oder anderen Arbeiten an der Anlage durchgeführt werden. Folgender Warnhinweis muss gut sichtbar am Gerät angebracht sein: „**ACHTUNG:** Diese Maschine ist ferngesteuert und kann ohne Vorwarnung anlaufen!“
4. Das Gerät darf keinesfalls bei Müdigkeit sowie nach dem Konsum von Alkohol, Drogen oder Medikamenten, die die Reaktionszeit reduzieren, verwendet werden.
5. Das Gerät darf nicht betrieben werden, wenn Teile des Gehäuses entfernt wurden. Türen oder Abdeckungen dürfen zu Prüfzwecken und für geplante Kontrollen kurzzeitig geöffnet werden. Gehörschutz wird dringend empfohlen.



Bei manchen Geräten können offene Türen oder fehlende Abdeckungen während des Betriebs zu Überhitzung führen.

6. Bei Arbeiten unter Betriebsbedingungen oder in Gebäuden, in denen der Schalldruckpegel 90 dB (A) oder mehr erreicht, muss Gehörschutz getragen werden.
7. Wird beim Heizen des Gebäudes Druckluft zur Anlagenkühlung verwendet, muss die Luft gefiltert werden, damit sie zum Atmen geeignet ist.
8. Folgende Punkte sind regelmäßig zu kontrollieren:

- Vorhandensein von Sicherheitsvorrichtungen und -geräten;
- Zustand und Dichtigkeit sämtlicher Schläuche und Rohrleitungen;
- Lecks;
- Festigkeit von Halterungen und Strukturbauteilen;
- Zustand und Sicherheit der elektrischen Leitungen und Kontakte;
- Funktionstüchtigkeit und Sauberkeit von Sicherheitsvorrichtungen;
- Funktionstüchtigkeit von Strukturbauteilen und Anzeichen von Verschleiß;

## 1.5 Sicherheitshinweise für die Wartung und Reparatur



Der Benutzer trägt die volle Verantwortung für Verletzungen oder Schäden, die während der Montage, des Betriebs, der Wartung sowie aufgrund von unberechtigter Nutzung der Anlage auftreten..

1. Es sind ausschließlich original Ersatz- und Austauschteile zugelassen. Die Verwendung von Ersatzteilen anderer Hersteller kann zu unvorhersehbaren Ergebnissen und somit zu Unfällen führen.
2. Bei Montage- und Reparaturarbeiten ist stets eine Schutzbrille zu tragen!
3. Vor dem Anschließen oder Trennen von Geräten sind diese vom Hauptdruckluftsystem zu trennen. Stellen Sie sicher, dass die Schläuche nicht unter Druck stehen!
4. Vor Beginn von Montagearbeiten oder sonstigen Arbeiten muss sichergestellt werden, dass die Anlage nicht unter Druck steht. Es dürfen niemals Montagearbeiten an Anlagen, die unter Druck stehen, durchgeführt werden.
5. Sämtliche Wartungsarbeiten dürfen erst ausgeführt werden, wenn die Bauteile auf Raumtemperatur abgekühlt sind.
6. Verwenden Sie niemals leicht entzündliche Lösungsmittel oder Tetrachlormethan zur Reinigung von Strukturbauteilen. Treffen Sie entsprechende Vorkehrungen gegen giftige Dämpfe von Reinigungsmitteln.
7. Während Montage- und Reparaturarbeiten sollte ein Hinweisschild am Bedienfeld angebracht sein, das vor unbefugtem Einschalten warnt. Beispiel: „Nicht einschalten. Gefahr für Bedienpersonal!“
8. Der Bediener, der das Gerät fernsteuert, muss sicherstellen, dass zu dem Zeitpunkt keine Montage- oder anderen Arbeiten an der Anlage durchgeführt werden. Folgender Warnhinweis muss gut sichtbar am Gerät angebracht sein: Siehe 1.3.9.
9. Halten Sie das Gebäude, in dem das Gerät steht, sauber. Schließen Sie offene Zu- und Abläufe während der Montage mit trockenen Lappen oder Papier, um zu verhindern, dass Schmutz in die Anlage gelangt.

10. Schweißarbeiten oder ähnliche Arbeiten dürfen nicht in unmittelbarer Nähe von Anlagen und Behältern, die unter Druck stehen, durchgeführt werden.

11. Schalten Sie die Anlage bei Verdacht auf Überhitzung, Entzündung sowie in anderen Notsituationen umgehend aus. Schalten Sie die Anlage sofort stromlos. Öffnen Sie Türen der Anlage erst, wenn sie sich auf Raumtemperatur abgekühlt hat, um Verbrennungen oder Verletzungen zu vermeiden.

12. Offene Flammen dürfen nicht als Lichtquelle für Inspektionen und Kontrollen der Anlage genutzt werden.

13. Verwenden Sie niemals ätzende Lösungsmittel, die Materialien im Druckluftsystem beschädigen könnten.

14. Stellen Sie nach Montagearbeiten oder anderen Arbeiten sicher, dass keine Werkzeuge, Lappen oder Ersatzteile im Gerät zurückgelassen wurden.

15. Achten Sie besonders auf die Sicherheitsventile. Kontrollieren Sie sie gründlich und entfernen Sie Staub und Schmutz. Ihre Funktion darf unter keinen Umständen beeinträchtigt sein. Denken Sie immer daran, dass Ihre Sicherheit von ihrer Funktionstüchtigkeit abhängt!

16. Stellen Sie nach Wartungs- oder Reparaturarbeiten und vor Beginn des Betriebs im normalen Modus sicher, dass der Betriebsdruck, die Temperatur und andere Werte richtig eingestellt sind. Stellen Sie sicher, dass alle Steuergeräte installiert sind und einwandfrei funktionieren.

17. Wischen Sie beim Wechsel von Filtern, Abscheidern usw. Staub-, Schmutz- und Ölablagerungen an der jeweiligen Stelle mit einem trockenen Tuch ab.

18. Schützen Sie Motor, Luftfilter, elektrische Komponenten, Steuerkomponenten usw. vor Kontakt mit dem Kondensat. Blasen Sie sie zum Beispiel mit trockener Luft ab.

19. Sicherheitshinweise für den Umgang mit Kältemittel:

- Niemals Kältemitteldämpfe einatmen. Stellen Sie sicher, dass der Arbeitsbereich gut belüftet ist. Bei Bedarf Atemschutz tragen.

- Tragen Sie immer Spezialhandschuhe. Wenn Kältemittel mit der Haut in Kontakt kommt, spülen Sie die betroffene Stelle mit reichlich Wasser ab. Wenn Kältemittel durch Kleidung hindurch mit der Haut in Kontakt kommt, versuchen Sie nicht, die Kleidung zu entfernen. Spülen Sie die Kleidung stattdessen gründlich mit klarem Wasser aus, bis das Kühlmittel ausgewaschen wurde. Suchen Sie anschließend einen Arzt auf.

20. Tragen Sie bei Montage- und Reparaturarbeiten (wie z. B. bei einem Ölwechsel) Schutzhandschuhe, um Verbrennungen und Verletzungen zu vermeiden.

## 2. Technische Daten und Funktionsbeschreibung



Die Garantie im festgelegten Zeitraum erlischt wenn:

- Der Gewährleistungsschein des Kompressors nicht vorhanden ist, oder wenn er fehlerhaft ausgefüllt ist.
- Wenn die Wartungsarbeiten nicht ordnungsgemäß im Servicebuch vermerkt sind.
- Wenn bei Reparaturen keine Comrag-Originalteile oder Schmiermittel benutzt werden.

## 2.1 Technische Daten

Article	Model	Drive power, compressor (kW)	Max. operating pressure (bar)	Output (m <sup>3</sup> /min)	Rated voltage, compressor (phase/V/Hz)	Noise (dB)	Screw connection	Oil capacity, liter
11100061	A3008	30	8	4,7	3/380/50	70	1-1/4	15
11100062	A3010		10	4,0				
11100063	A3013		13	3,5				
11100071	A3708	37	8	5,9		72		
11100072	A3710		10	5,1				
11100073	A3713		13	4,4				
11100081	A4508	45	8	7,0		73	1-1/2	20
11100082	A4510		10	6,2				
11100083	A4513		13	5,3				
11100091	A5508	55	8	8,7				
11100092	A5510		10	7,7				
11100093	A5513		13	6,5				

## 2.2 Allgemeine Beschreibung

Die Schraubenkompressoren der A Serie sind für die kontinuierliche und effiziente Druckluftzeugung konzipiert.

Die A-Serie sind ölgefüllte Schraubenkompressoren mit Riemenantrieb und elektronischer Steuerung. Die stabile Konstruktion ist umschlossen von einem Geräusch isolierenden Gehäuse, ausgestattet mit dem Kontrollpanel e-Log (LCD Display), Start/Stop-Schalter und einem Not-Aus-Taster. Für die Systemüberwachung werden Temperatur und Druckrelais eingesetzt.

## 2.3 Ablaufdiagramm und Hauptkomponenten

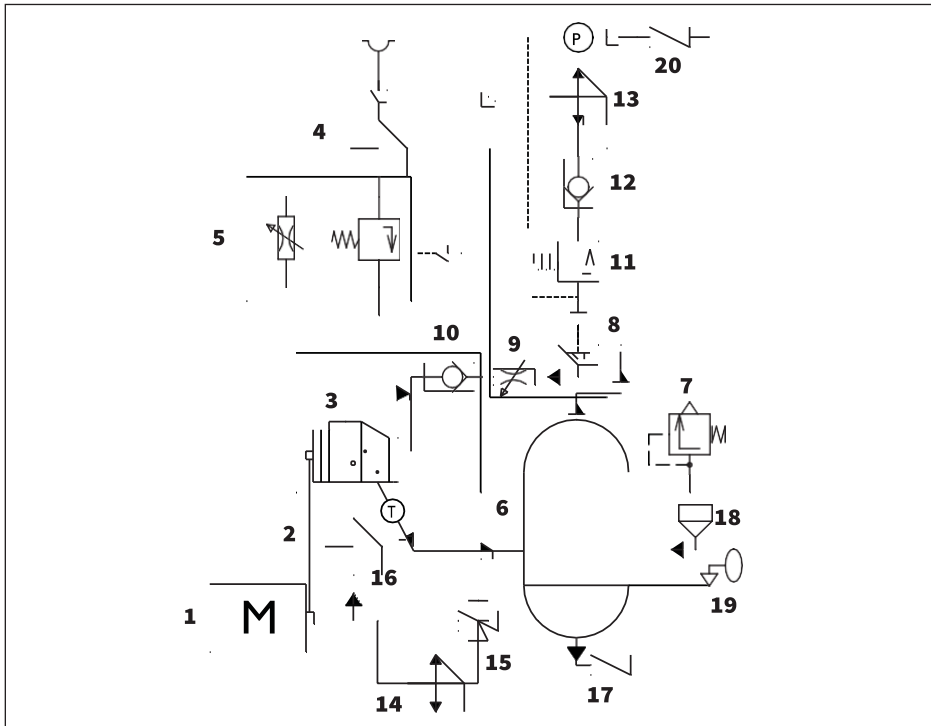


Bild 2.3 Ablaufdiagramm A30–A55

	Luftfluß		Temperaturfühler
	Ölfluß		Drucksensor
	Luft/Öl Gemisch		Pneumatische Steuerleitung

## 2.4 Funktionsbeschreibung

### Luftkreislauf:

Die Luft strömt durch den Luftfilter (4), öffnet das Einlassventil (5) und strömt weiter in den Schraubenblock (3) des Kompressors, wo sie komprimiert wird.

Das Gemisch aus komprimierter Luft und Öl wird in den Luft-/Ölabscheidetank (6) geleitet. Danach über das Mindestdruckventil (11) durch den Wärmeaustauscher (13) zum Ablassventil abgeführt (20).

### Ölkreislauf:

Die Druckluft zwingt das Öl aus dem Luft-/Ölabscheidetank (6) durch den Wärmeaustauscher (14) und den Ölfiter (16) zum Schraubenblock (3) und den Schmierstellen. Im Luft-/Ölabscheidetank (6) wird das meiste Öl abgeschieden, der Rest wird im Luft-/Ölabscheider entfernt (8).

Das Ölflusssystem ist mit einem thermostatischen Ventil (15) ausgestattet. Wenn die Öltemperatur unter dem Sollwert des Thermostatventils, trennt es die Ölversorgung vom Wärmeaustauscher (14). Das Thermostatventil öffnet die Zufuhr vom Wärmeaustauscher (14) wenn die Öltemperatur die voreingestellte Temperatur erreicht hat. Die Voreinstellungen sind Modellabhängig. Siehe auch Tabelle Technische Daten.

### Kühlsystem:

Das Kühlsystem beinhaltet einen kombinierten Luftbereich (13) und Ölbereich (14) Wärmeaustauscher. Einen Lüfter, der direkt an der Motorwelle montiert ist, generiert gekühlte Luft für die erforderliche Abkühlung des Wärmeaustauschers.

## 2.5 Pneumatikplan Last- Leerlauf

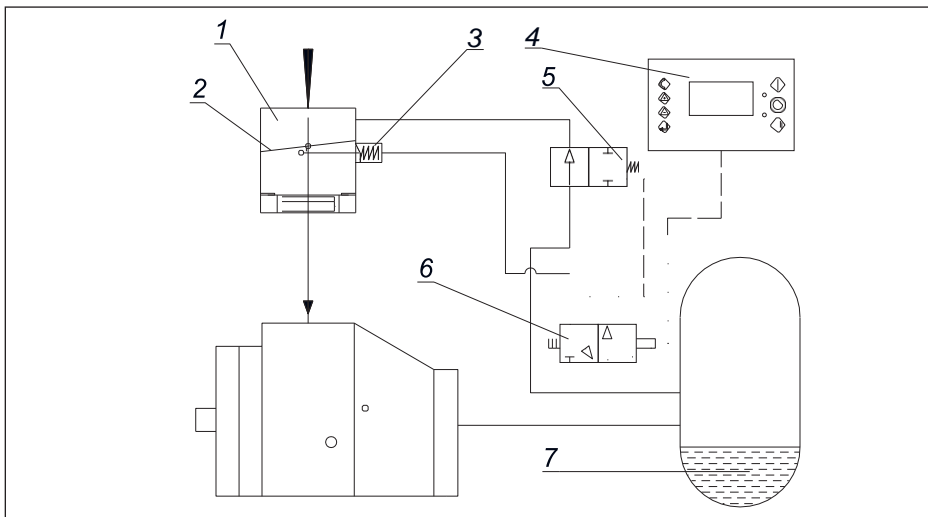


Bild 2.5 Pneumatikplan



Die Anlage wird von einer elektronischen Steuerung e-Log (4) gesteuert, die den Netzdruck durch die Leer- Lastlaufregelung innerhalb der eingestellten Parameter regelt.

### Leerlauf und Stillstand:

Wenn der Luftverbrauch geringer ist als die Luftmenge, die der Kompressor liefert, erhöht sich der Netzdruck. Wenn der Netzdruck die obere vorangestellte Grenze erreicht (Ausschaltdruck), schaltet die Steuerung das Magnetventil (6) ab und entlüftet pneumatisch die Steuerleitung des Einlassventils (1). Der Schieber (2) des Einlassventils (1) schließt sich durch die Federkraft:

1. Die Steuerleitung des Einlassventils (3) und das Entlastungsventil (5) sind durch das Magnetventil (6) entlüftet.
2. Der Schieber (2) des Einlassventils (1) ist geschlossen.
3. Das Entlastungsventil (5) öffnet sich durch den im Luft-/Ölabscheidetank entstehenden Überdruck und leitet den Überdruck durch die Saugfilter ab.
4. Der Überdruck stabilisiert sich auf einen vorangestellten niedrigen Wert, der Kompressor stellt die Druckluftherzeugung ab (0%) und befindet sich im Leerlauf. Nach Ablauf einer vorangestellten Zeit schaltet der Kompressor in den Stillstand.

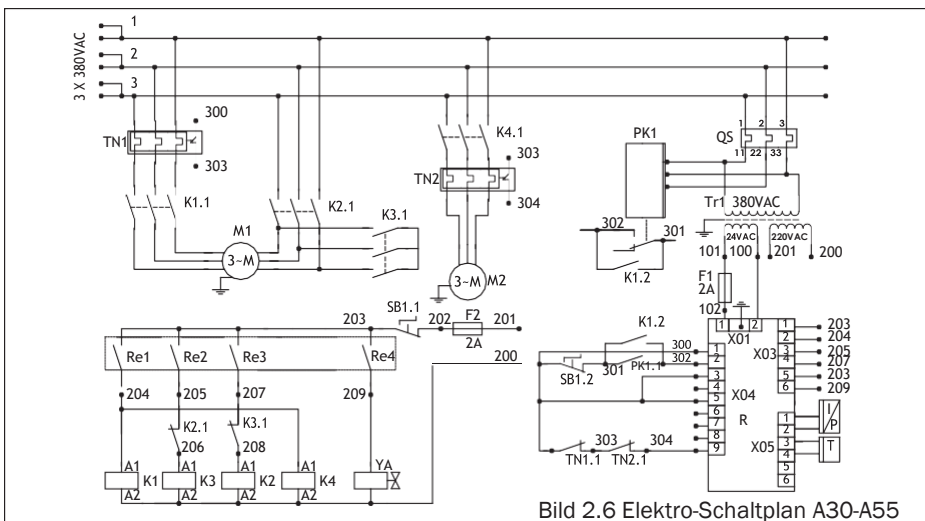
### Lastlauf:

Wenn der Luftverbrauch wieder stattfindet, verringert sich der Netzdruck.

Wenn der Netzdruck die untere vorangestellte Grenze erreicht (Einschaltdruck), schaltet die Steuerung das Magnetventil (6) ein, und die pneumatische Steuerleitung des Einlassventils (1) erhält einen Steuerdruck.

1. Der Steuerdruck kommt aus dem Luft-/Ölabscheidetank (7) durch das eingeschaltete Magnetventil (6) in das Einlassventil und öffnet den Schieber (2).
2. Das Entlastungsventil (5) bleibt geschlossen.
3. Der Kompressor liefert wieder Druckluft (100%) und befindet sich im Lastlauf.

## 2.6 Elektro-Schaltplan



## Hauptkomponenten

K1, K2, K3, K4	Schütz	YA	Elektromagnetventil
M1	Elektromotor	R	Steuerung
T	Temperatursensor	I/P	Drucksensor
SB	Not-Aus	TN1, TN2	Überlastungsrelais
F1, F2	Sicherung	TR	Transformator
PK1.1	Phasenfolgerelais	QS	Automatischer Leistungsumschalter

## 2.7 Elektrische Anschlusswerte

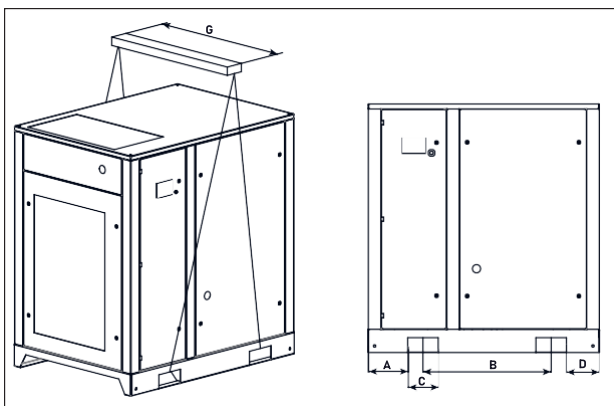
Spannung (V)	Frequenz (Hz)	A30..	A37..	A45..	A55..
Material - Kupfer. Kabelquerschnitt (mm <sup>2</sup> )					
380 / 400	50	16	25	35	50
Sicherung (A)					
380 / 400	50	63	80	100	125
Motorüberlastrelais (A)					
380 / 400	50	31,8	38,1	46,2	56

# 3. Inbetriebnahme

## 3.1 Transport



Alle Transportvorgänge sollten mit einem Gabelstapler, dessen Traglast für das Gewicht Ihres Kompressors ausgelegt ist durchgeführt werden. Hebevorgänge können auch mit Kran, Seilwinden oder anderen Hebezeugen, mit Verwendung von Transporttraversen der richtigen Länge ausgeführt werden. Beachten Sie die örtlichen Sicherheitsvorschriften.



Für den Transport mit dem Gabelstapler, nutzen Sie die Transportlanglöcher im Gestell. Der Kompressor hat Transportlanglöcher mit einer Breite von C – Bild 5. Bewegen Sie den Kompressor vorsichtig.

Bild 3.1 Heben und Transportieren A30–A55

Modell	A, mm	B, mm	C, mm	D, mm	G, mm
A30	332	775	185	292	1200
A37					
A45	540	775	185	150	1300
A55					

## 3.2 Abmessungen

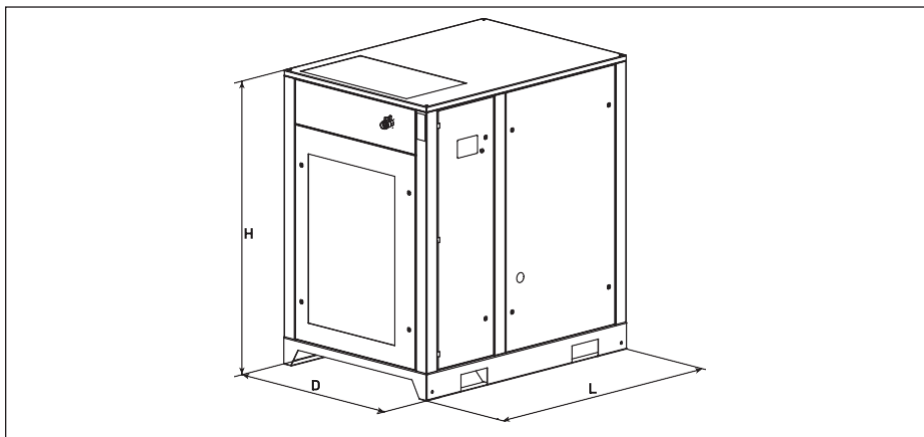


Bild 3.2 Abmessungen A30–A55

Modell	Hauptabmessungen Kompressor				Hauptabmessungen Verpackung			
	Länge L, mm	Breite D, mm	Höhe H, mm	Weight, kg	Länge L, mm	Breite D, mm	Höhe H, mm	Weight, kg
A30	1400	1000	1500	705	1600	1100	1750	777
A37				745				830
A45	1650	1100	1730	950	1850	1200	1860	1165
A55				1150				1194

### 3.3 Requirements on installation facility

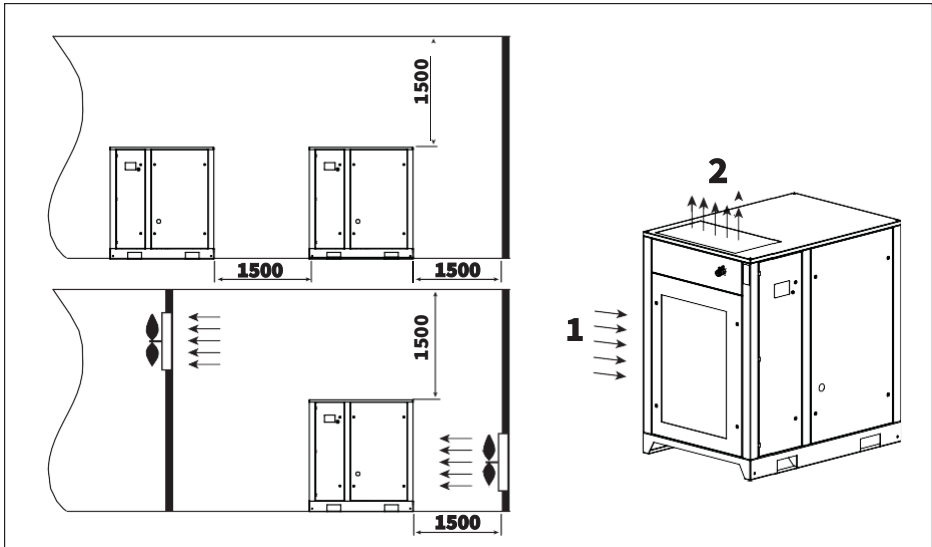


Bild 3.3 Installationsvorschlag A30–A55

1. Luftansaugung
2. Luftablas

Versichern Sie sich, dass der Untergrund im Arbeitsumfeld des Kompressors für das Komplettgewicht der Druckluftanlage ausgelegt ist.

Justieren Sie die horizontale Achse des Kompressors mit Hilfe eines Nivellierinstruments. Wenn der Kompressor nicht mit dem Untergrund verankert ist, darf der Winkel zur horizontalen Ebene des Untergrundes nicht mehr als  $3^\circ$  betragen. Wenn der Kompressor mit dem Untergrund verankert ist, dürfen  $7^\circ$  nicht überschritten werden.

Montieren Sie den Kompressor mindestens 1,5 m von den Wänden entfernt.

Wenn mehrere Kompressoren montiert werden, halten Sie einen Minimumabstand von 1,5 m von Kompressor zu Kompressor ein.

Zwischen Kompressor und Druckluftzubehör sollten 4 m Sicherheitsabstand gelassen werden. Der Standort des Kompressors muss mit einem kombinierten Be- und Entlüftungssystem ausgestattet werden.



Am Standort des Kompressors, sollte ein doppelt so großer Luftmenge, wie der vom Hersteller angegebene Luftvolumenstrom zur Verfügung stehen.

Das Volumen der Absaugung darf maximal 40% des Luftvolumenstroms der Belüftung am Einsatzort des Kompressors betragen.

Die Temperatur am Einsatzort des Kompressors darf nicht unter 5+ °C fallen

Benutzen Sie einen Lüftungskanal /Schlauch um die heiße Abluft des Kompressors abzuleiten. Er sollte bis zu 3m lang und mit einem 20% größeren Querschnitt als der Abgang am Kältetrockner sein. Wenn Sie einen länger als 3 Meter langen Lüftungskanal /Schlauch verwenden, müssen Sie zusätzliche Lüfter anbringen.

### **3.4 Anbindung an die Druckluftleitung**

Sorgen Sie dafür, dass die Durchsatzkapazität der Druckluftlinie mit der Leistung des Kompressors übereinstimmt .

Verbinden Sie den Kompressor mit flexiblen Schläuchen um Dichtigkeitsschäden in der Druckluftleitung zu vermeiden.

Alle Komponenten der Druckluftlinie müssen einen Betriebsdruck haben, der den Nenn- druck des Kompressors nicht überschreitet.

Benutzen Sie einen Druckluftkessel mit einem passenden Volumen zu der Leistung des Kompressors und der Endverbraucher.

### **3.5 Anbindung an das Stromnetz**

Das Stromkabel ist im Lieferumfang nicht enthalten.

Der Kompressor wird ohne Stromkabel geliefert.

Die Kabelgröße muss so gewählt werden, dass der maximale Spannungsverlust weniger als 5% beträgt.

Die Kabellänge darf 25 Meter nicht überschreiten.

Raumtemperatur muss unter 40 °C liegen.

Das Kabel muss eine Feuerfeste Ummantelung haben.

Es muss ein Not-Aus-Schalter in Reichweite des Kompressors vorhanden sein, um die Stromverbindung notfalls zu trennen.



Der Kompressor muss in jeder Phase geerdet und geschützt sein, um Kurzschlüsse und andere Fehler zu vermeiden.

Das Stromkabel muss am Kompressor angeschlossen werden.

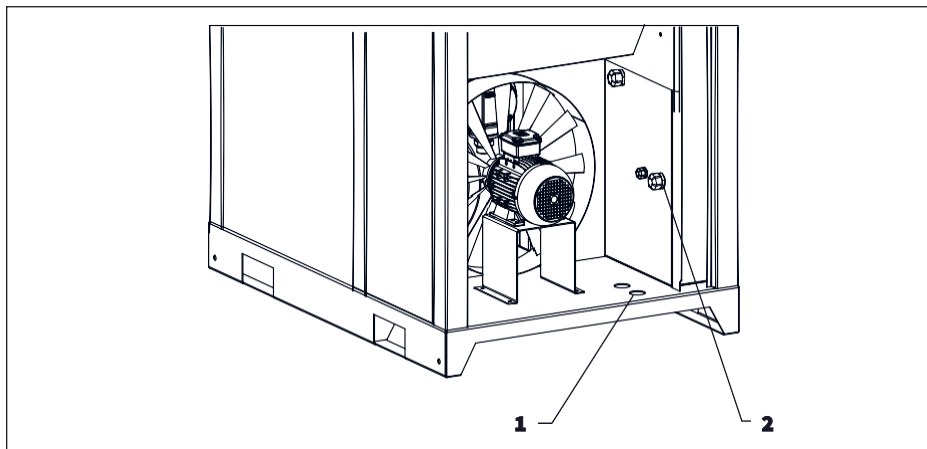


Bild 3.5.1 Stromkabelverbindung

Entfernen Sie das rechte Seitenpanel, führen Sie das Stromkabel durch Öffnung (1) und in Steckplatz (2).

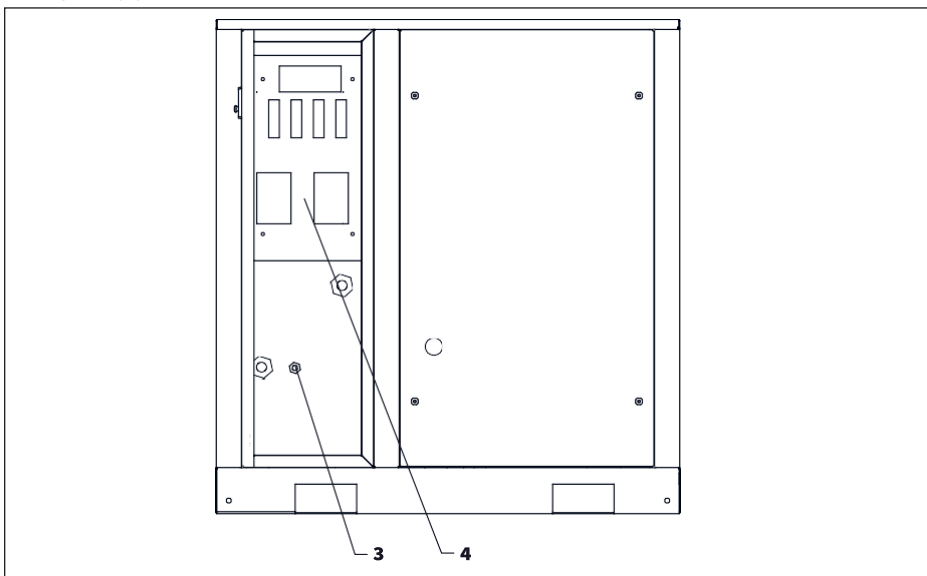


Bild 3.5.2 Stromkabel Klemmverbindungen

Verbinden Sie das Stromkabel mit Klemmplatz (4).

Die Erdungsader des Stromkabels muss mit dem Erdungsbolzen (3) verbunden werden.

## 4. Betrieb



Der Kompressor darf nur von qualifiziertem Personal bedient werden,

### 4.1 Steuer- und Bedieneinheit

Die Kompressoren A 30 bis A 55 sind mit einer elektronischen Steuerung pro-Log ausgestattet. Die pro-log Steuerung regelt den Anlagendruck über programmierbare Grenzen durch die Leer-Lastlaufregelung. Die Steuerung umfasst eine Vielzahl von Einstellungsmöglichkeiten, z. B. die minimale Anzahl der Stopps und die maximale Anzahl an Motorstarts.

Zur Reduzierung des Stromverbrauchs stoppt die elektronische Steuerung pro-Log den Kompressor bei jeder Gelegenheit und startet ihn wieder automatisch bei Absinken des Netzdrucks. Zur Vermeidung zu kurzer Stillstandszeiten wird der Kompressor bei einer erwarteten zu kurzen Abschaltdauer nicht gestoppt.

#### Bedieneinheit

Um den Kompressor zu steuern und um Programmdaten und Parameter abzulesen, verfügt die Steuerung über:

- Kompressor-Status-LEDs;
- Der Display zeigt Betriebsbedingungen, Servicehinweise oder Fehlermeldungen an;
- Bedienfeld für die Bedienung und den Zugriff auf gesammelte Daten;
- Manuelle Start- und Stoppschalter;
- Notaus-Schalter (separat installiert).

#### Tasten der Schalttafel

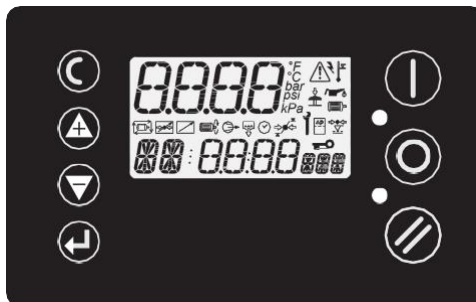









Bild 4.1 Bedieneinheit

	Start		Escape
	Stopp		Werte erhöhen
	Zurücksetzen		Werte senken
			Eingabe

Angezeigte Informationen auf dem LCD-Bildschirm.

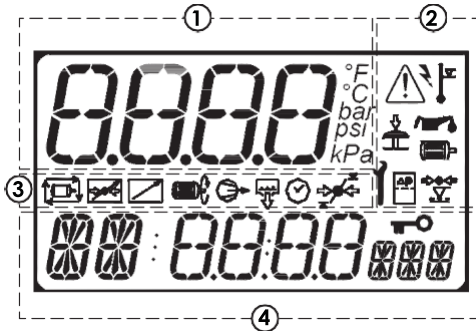




Bild 4.2 LCD-Bildschirm

Der Bildschirm ist in 4 Bereiche unterteilt.







<b>Oben links, Anzeigebereich:</b>	4 stellige numerische Anzeige mit Einheit, zur kontinuierlichen Anzeige des Drucks bzw. der Menüseitennummer (im Menümodus).
<b>Oben rechts: Fehlersymbolfeld:</b>	Symbolanzeige für die häufigsten allgemeinen Fehlerzustände.
<b>Mitte:</b>	Symbolanzeige zur Erläuterung des ausgewählten Parameters oder des Fehlers. Symbolische Statusinformationen im normalen Betriebsmodus „Informations-Bildschirm“
<b>Unten: Parameter- und Werte:</b>	Parameterkennung: 2 alphanum. Zeichen, 14-Segmentanzeige Parameterwert: 4 Ziffern, 7-Segmentanzeige Einheit: 3 alphanum. Zeichen, 14-Segmentanzeige

Operational Display Symbols:

				
Leerlauf	Lastlauf	Time	Druckanzeige	Gesper



Fehleranzeigesymbole:

		
Allgemeiner Fehler	Notaus	Überdruck
		
Ausfall der Versorgung	Überschreitung der Temperaturobergrenze	Wartung ist fällig, Wartung durchführen

Anzeigezustände:

EIN: Dauerhaft eingeschaltet

SB: Schnelles Blinken: Viermal ein/aus pro Sekunde LB: Langsames Blinken: Einmal ein/aus pro Sekunde

IB: Intermittierendes Blinken: Ein/aus alle vier Sekunden

AUS: Dauerhaft ausgeschaltet

Statusnummer	Beschreibung des Status	Status	Fehler ●
1	Stoppfehler	AUS	SB
2	Erstinbetriebnahme	AUS	AUS **
3	Prüfung auf Startunterdrückung Startunterdrückungsbedingung	AUS	AUS **
4	Startbereit	AUS	AUS **
5	Ausblasen	Wenn (Ladeanforderung) SB, sonst IB	AUS **
6	Standby	IB	AUS **
7	Motor in Stern/Dreieck starten	Wenn (Ladeanforderung) SB, sonst IB	AUS **
8	Ladeverzögerung	Wenn (Ladeanforderung) SB, sonst IB	AUS **
9	Laden	ON	AUS **
10	Neuladeverzögerung	Wenn (Ladeanforderung) SB, sonst IB	AUS **
11	Zur Zeit Standbybetrieb	IB	AUS **
12	Zur Zeit Betriebsstopp	LB	AUS **

●\*\* LB bei Alarmbedingung

Benutzermenü:

Pos.	Code	Beschreibung	Bereich	Grundeinstellung
1	PO0:C>	Information	Anzahl der Kompressor- einschaltungen inner- halb der letzten Stunde	

2	P00:Td	Temperatur der Druckluft am Kompressoraustritt	-10 °C +132 °C	
3	P00:Pd	Druck der Druckluft am Kompressoraustritt	0-16 bar	
4	P00:H1	Betriebsstunden (Elektromotor eingeschaltet)	0-99999 h	
5	P00:H2	Stunden unter Aufladung	0-99999 h	
6	P00:H3	Wartungsstunden (Countdown-Zähler)	0-99999 h	50

## 4.2 Fehlermeldungen

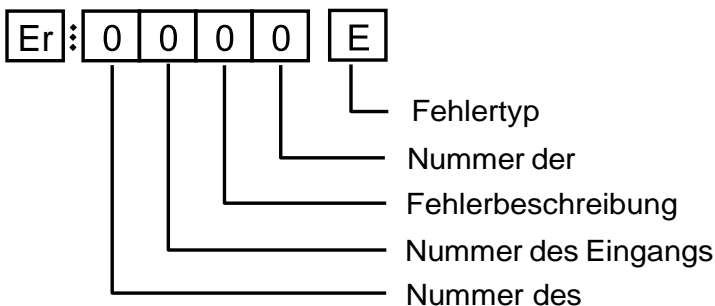
Fehler sind Betriebszustände mit ungewöhnlichen Betriebsbedingungen. Alarmer sind fehlerhafte Betriebszustände, die das Verlassen der normalen Betriebsbedingungen anzeigen, aber keine unmittelbare Gefahr und kein potentiell Schadenereignis darstellen. Alarmer dienen nur zur Warnung und veranlassen weder das Stoppen des Kompressors noch verhindern sie das Starten und den Betrieb des Kompressors.

Startunterdrückungen sind Fehlerzustände, unter denen das erste Starten des Kompressors ausgeschlossen ist. Fehler mit Startunterdrückung sind Betriebsbedingungen, die eine Gefahr oder ein Schadenereignis darstellen, wenn der Kompressor gestartet wird. Eine Startunterdrückung wird automatisch zurückgesetzt, wenn die überwachte Betriebsbedingung in den normalen Betriebsbereich zurückkehrt. Die Überprüfung auf das Vorliegen einer das Starten unterdrückenden Betriebsbedingung erfolgt nur während des ersten Startvorgangs. Nach dem ersten Startvorgang befindet sich der Kompressor im Status „gestartet“, in dem er bei Vorliegen einer das Starten unterdrückenden Betriebsbedingung nicht gestoppt wird. Während eines automatischen Motorstarts aus dem Standby erfolgt keine Überprüfung auf das Vorliegen einer das Starten unterdrückenden Betriebsbedingung.

Den Betrieb unterdrückende Fehlerzustände verhindern ein Starten des Kompressors und den Betrieb des Hauptmotors. Den Betrieb unterdrückende Fehler sind Betriebsbedingungen, die eine Gefahr oder ein Schadenereignis darstellen, wenn der Motor betrieben wird. Eine Betriebsunterdrückung wird automatisch zurückgesetzt, wenn die überwachte Betriebsbedingung in den normalen Betriebsbereich zurückkehrt. Anschließend kann der Kompressor ohne weitere manuelle Eingriffe den Standbymodus verlassen und in Betrieb gehen. Vor einer Startsequenz des Hauptmotors erfolgt eine Überprüfung auf das Vorliegen einer den Betrieb unterdrückenden Betriebsbedingung. Sobald der Motor gestartet ist, wird er bei Vorliegen einer den Betrieb unterdrückenden Betriebsbedingung nicht gestoppt. Die den Betrieb unterdrückenden Betriebsbedingungen verhindern nicht, dass der Kompressor in den Status „gestartet“ gelangt.

Stoppauslösende Fehler sind Fehlerzustände, die eine Gefahr oder ein Schadenereignis darstellen und ein sofortiges Stoppen des Kompressors zur Folge haben. Betriebsbedingungen, die einen stoppauslösenden Fehlerzustand zur Folge haben, müssen behoben werden und der Fehler muss zurückgesetzt werden, bevor der Kompressor neu gestartet werden kann.

Die unterschiedlichen Fehlerzustände werden auf dem Bildschirm durch spezifische Codes angezeigt; das letzte Zeichen zeigt den Fehlertyp an: E = Stopp auslösender Fehler, A= Alarm, S = Startunterdrückung R = Betriebsunterdrückung Die einen Stopp auslösenden Fehler unterteilen sich in zwei Kategorien: Fehler mit sofortigem Stopp und Fehler mit kontrolliertem Stopp. Fehler mit sofortigem Stopp stoppen den Kompressor sofort (zum Beispiel bei Betätigung des Notaus-Tasters). Fehler mit kontrolliertem Stopp stoppen den Kompressor auf kontrollierte Weise mittels eines normalen Stoppbefehls; dabei bleibt der Motor während der für den Stoppvorgang eingestellten Weiterlaufdauer in Betrieb. Das erste Zeichen im Fehlercode der Fehler mit sofortigem Stopp ist „0“ (Null). Das erste Zeichen im Fehlercode der Fehler mit kontrolliertem Stopp ist „1“. Auch die Alarmfehler unterteilen sich in zwei Kategorien: Alarme und Alarmmeldungen für die Wartung. Bei Alarmen ist das erste Zeichen eine „2“, bei den Wartungsalarmmeldungen eine „4“. Bei den Codes der startunterdrückenden Fehler ist das erste Zeichen eine „3“.



Fehlerbeschreibung	Fehlerbeschreibung
9	Übergeordneter einen Stopp auslösender Fehler
8	Übergeordneter Alarm
7	Übergeordnete Startunterdrückung
6	Sonderfunktion
5	Sensorfehler
4	Timeout
3	Untergeordnete Startunterdrückung
2	Untergeordneter Alarm
1	Untergeordneter einen Stopp auslösender Fehler
0	Digitaler Eingang

Nummer des Eingangs	Eingang
#	Eingangsnummer für Klemme/Anschluss des Reglereingangs

Eingangsanschluss Nummer	Eingangsanschluss Beschreibung
0	Digitaler Eingang

1	Analoger Eingang
2 bis 7	Nicht verwendet
8	Sonderfunktionen
9	Sonderfunktionen Slaveeinheit:

Fehlerkategorie Nummer	Beschreibung der Fehlerkategorie
0	Einen sofortigen Stopp auslösende Fehler
1	Einen kontrollierten Stopp auslösende Fehler
2	Alarm
3	Unterdrückung des Starts oder Betriebs
4	Wartung

Fehlertyp	Beschreibung des Fehlertyps
E	Stopp auslösender Fehler
A	Alarm (oder Wartungsalarmmeldung)
S	Startunterdrückung
R	Betriebsunterdrückung

## 1. Fehler beim sofortigen Stopp

### 1.1 Digitaleingangsfehler

- Er:0010 E Notaus / Phasenfehlerrelais  
 Er:0080 E Hauptmotorfehler / Lüftermotorfehler

### 1.2 1.2 Analogeingangsfehler

- Er:0115 E Ausfall des Drucksensors  
 Er:0119 E Hoher Druck am Kompressoraustritt  
 Er:0125 E Ausfall des Temperatursensors  
 Er:0129 E Temperatur des Luft-Ölgemisches liegt über 107 °C

### 1.3 1.3 Sonderfunktionsfehler

- Er:0821 E An einem analogen oder digitalen Eingang besteht ein geringer Isolationswiderstand, Kurzschluss oder Erdschluss (fehlerhafte Verbindung, Kabelfehler oder Sensorfehler)  
 Er:0846 E Für den Drucksensor am Kompressoraustritt ist der Sensorbereich für die aufzubringenden Standarddruckeinstellungen zu niedrig eingestellt

## 2. Fehler beim kontrolliertem Stopp

Keine

## 3. Alarme

### 3.1 Digitaler Eingang, Alarme

### 3.2 Analoger Eingang, Alarmer

Er:2118 A Hoher Druck am Kompressorausstritt  
Er:2128 A Hohe Temperatur des Luft-Ölgemisches

### 3.3 Sonderfunktion Alarmer

Er:2816 A Ein Stromausfall ist aufgetreten, während sich der Kompressor im Status „gestartet“ befand

### 4. Startunterdrückungen

Keine

### 5. Betriebsunterdrückungen

Er:3123 R Die Temperatur am Kompressorausstritt  $T_d$  liegt unterhalb der für die Betriebsunterdrückung eingestellten Temperaturuntergrenze. Der Regler erlaubt den Motorstart erst dann, wenn die Temperatur über die eingestellte Grenze ansteigt

### 6. Wartungsalarmer

#### 6.1 Sonderfunktion Wartungsalarmer

Er:4804 A Der Wartungstundenzähler ist abgelaufen, die Wartung ist fällig (Wartungstundenzähler zurücksetzen)

## 5. Wartung

### 5.1 Wartungsplan

Wartungsplan

	Täglich	Monatlich	Jährlich	Wartungsintervalle (Arbeitsstunden)			
				M-1	M-2	M-3	M-2
				500	2000	4000	6000
Ölstand	Prüfen/ Nachfüllen						
Kompressoröl				Austauschen	Austauschen	Austauschen	Austauschen
Luftfilter*		Reinigen			Austauschen	Austauschen	Austauschen
Ölfilter				Austauschen	Austauschen	Austauschen	Austauschen
Luft-Öl Separator						Austauschen	
Antriebsriemen		Prüfen					
Wärmeaustauscher		Reinigen					

Lagerung Elektromotor			nach-schmieren				
Einlassventil			Prüfen				
Mindestdruckventil			Prüfen				
Sicherheitsventil			Prüfen				

Wenn 6000 Betriebsstunden erreicht sind, sollte alternativ alle 2000 Stunden nach Plan M-2 oder M-3 gewartet werden. Tägliche, wöchentliche, monatliche und jährliche Wartungsarbeiten ersetzen nicht die zeitlich vorgegebenen Wartungsintervalle..

## 5.2 Prüfen des Ölstands

Kontrollieren Sie den Ölstand täglich. Um den Ölstand zu erreichen, stoppen Sie den Kompressor und entfernen Sie das Frontpanel.

Der Ölstand kann visuell am Ölstandsanzeiger (1) des Kompressors abgelesen werden, wenn dieser abgeschaltet ist.

Der Ölstand muss immer im Sichtglas zu erkennen sein.

Wenn dies nicht der Fall ist, muss neues Öl nachgefüllt werden. Nutzen Sie ein Vorspannungsmessgerät, um die Spannkraft des Riemens zu prüfen.

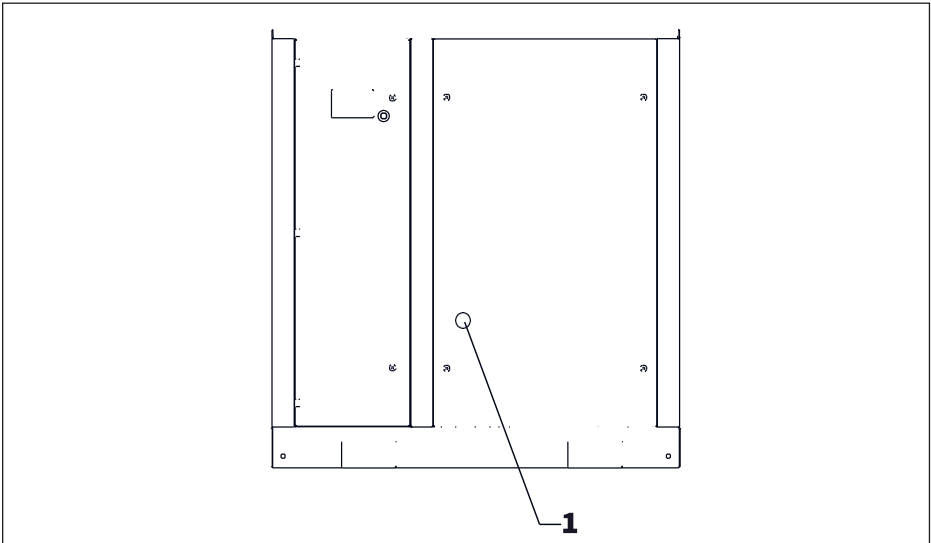
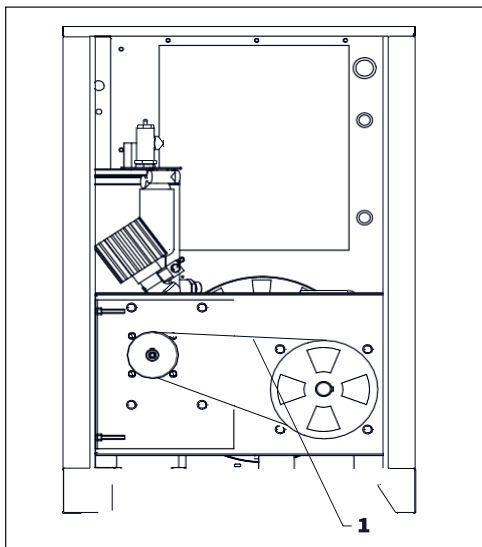


Bild 5.2 Ölstandsüberwachung

## 5.3 Überprüfung des Antriebriemens

Überprüfen Sie täglich den Zustand und die Spannung des Antriebriemens.



Um den Riemen zu erreichen, stoppen Sie den Kompressor und entfernen Sie das rechte Seitenpanel. Überprüfen Sie die Riemen (1) auf Verschleiß, Ausfransungen und Risse. Wenn der Riemen beschädigt ist, muss er umgehend ersetzt werden.

Bild 5.3 Überprüfung des Antriebriemens

Nutzen Sie ein Vorspannungsmessgerät, um die Spannkraft des Riemens zu prüfen.

Modell	Maximaler Betriebsdruck, bar	Spannkraft F, N
A30	8	350
	10	350
	13	350
A37	8	400
	10	400
	13	400
A45	8	450
	10	450
	13	450
A55	8	650
	10	650
	13	650

## 5.4 Austausch des Öls und der Ölfilter

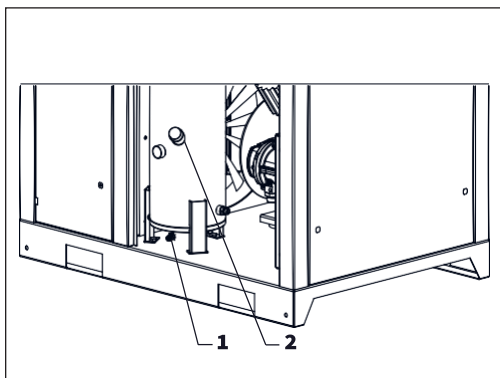


Bild 5.4.1 Austausch des Öls

Öffnen Sie das Frontpanel und drehen Sie den Stopfen des Einfüllstutzens (2) eine Umdrehung im Uhrzeigersinn, um den Systemdruck zu entlüften. Jetzt können Sie den Stopfen entfernen. Auch den Stopfen des Ablassventils (1) im Boden des Luft-/Ölabscheidetanks müssen Sie entfernen. Lassen Sie das Öl in einen separaten Behälter ab, nachdem Sie das Ablassventil geöffnet haben. Befüllen Sie nun den Luft-/Ölabscheidetank erneut, bis der Ölstandsanzeiger mittig im Sichtglas mit Öl gefüllt ist. Befestigen Sie die Stopfen wieder an ihren ursprünglichen Positionen.

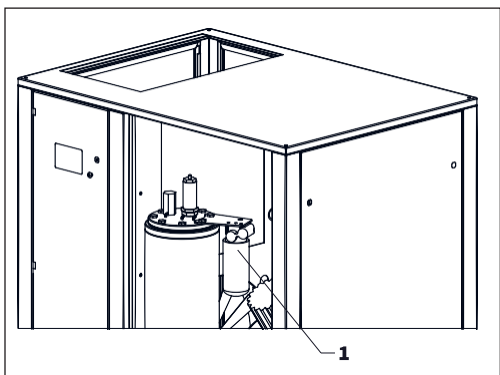


Bild 5.4.2 Austausch des Ölfilters

Öffnen Sie das Frontpanel. Entfernen Sie den Ölfilter (1) mithilfe eines Ölfilterschraubenschlüssels. Lassen Sie das Öl in ein separates Behältnis ab und reinigen Sie den Filtersitz. Jetzt kann das Gewinde des neuen Filters geölt und per Hand eingeschraubt werden. Starten Sie den Kompressor, dann stoppen Sie ihn, und lassen ihn für mehrere Minuten im Leerlauf laufen, damit das Öl zirkulieren und die Luft aus dem System entfernt werden kann. Warten Sie einige Minuten, bis sich das Öl in den Leitungen gesetzt und sich der innere Druck reguliert hat. Wenn nötig, schrauben Sie den Einfüllstopfen auf und befüllen Sie, bis der Ölstandsanzeiger mittig im Sichtglas mit Öl gefüllt ist. Setzen Sie den Stopfen wieder an seiner ursprünglichen Position ein und ziehen Sie ihn wieder an.



## 5.5 Austausch des Luftfilters

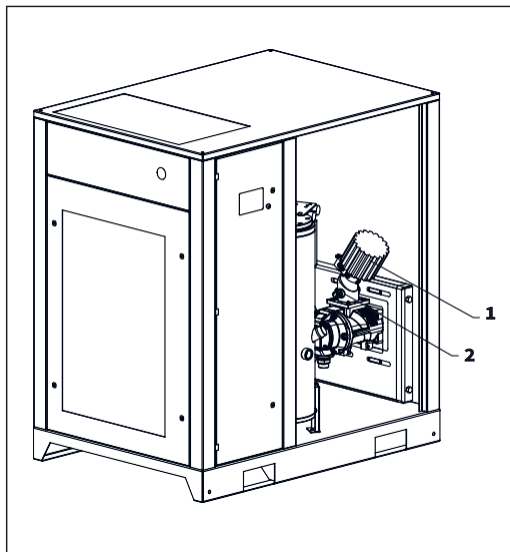


Bild 5.5 Austausch des Luftfilters

Der Luftfilter (1) ist am Einlassventil des Kompressors angeordnet. Öffnen Sie das Frontpanel und entfernen Sie die Schelle (2). Sie können den verschmutzten Luftfilter und die Befestigungsschelle sicher demontieren. Nun setzen Sie den Filter ein und fixieren ihn erneut.

## 5.6 Wechsel des Antriebsriemens

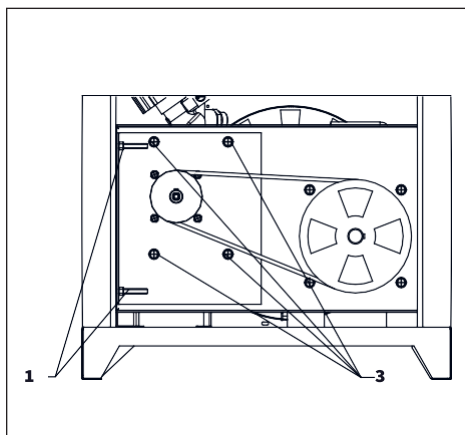
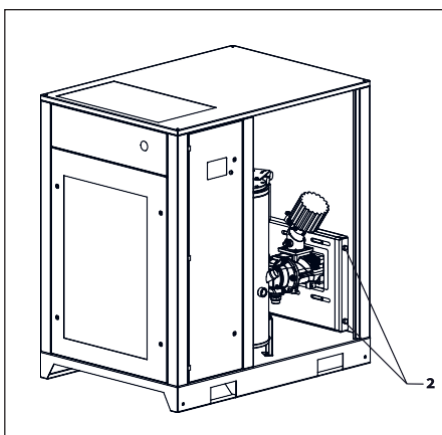


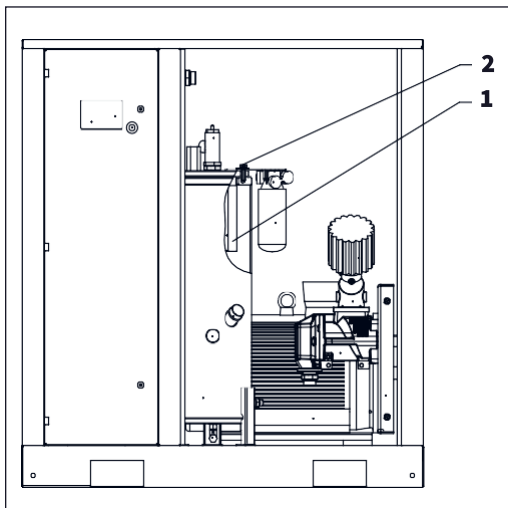
Bild 5.6 Wechsel des Antriebsriemens



Öffnen Sie das Frontpanel und das rechte Seitenpanel. Lösen Sie die 4 Schrauben (3), die die Konsole des Schraubenblocks schützen mit jeweils 2 Umdrehungen. Dann lösen Sie die 2 Bolzen des Motors (2) und die zugehörigen Muttern (1) an der Spannvorrichtung des Riemens mithilfe eines Schraubenschlüssels. Entfernen Sie die alten Riemen von der Riemenscheibe und

installieren Sie die neuen. Nach der Installation mit der richtigen Spannkraft (siehe Abschnitt 5.3, Überprüfung des Antriebsriemens) müssen die 2 Bolzen (2) die Muttern und die 4 Schrauben wieder angezogen werden. Prüfen Sie die Riemen Spannung bei vier Betriebsstunden des Kompressors-mithilfe von Abschnitt 5.3.

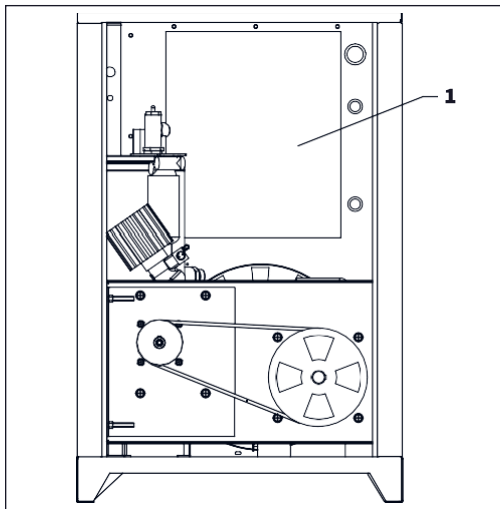
## 5.7 Austausch des Luft/Öl-Separators



Das Separatorbauteil (1) ist innerhalb des Separatorbehälters angeordnet. Öffnen Sie das Frontpanel, um es auszutauschen. Lösen Sie die Schrauben (2) und entfernen Sie sorgfältig den Deckel auf der Behälteroberseite. Lösen Sie dafür bei Bedarf einige Schlauchanschlüsse. Entfernen Sie den verbrauchten Separator und installieren an einen neuen. Montieren Sie den Behälterdeckel wieder vollständig.

Bild 5.7 Austausch des Luft/Öl-Separator

## 5.8 Wärmeaustauscher reinigen



Öffnen Sie das Frontpanel um den Wärmeaustauscher (1) zu erreichen. Reinigen Sie den Wärmeaustauscher regelmäßig um die Kühlfunktion optimal zu halten. Entfernen Sie Staub und Schmutz mit einer weichen Bürste, dann blasen Sie den Wärmeaustauscher von unten nach oben mit Druckluft ab. Die Düse sollte im 90° Winkel zu der Kompressorebene gehalten werden.

Fig. 5.8 Cleaning radiator

## 5.9 Kontrolle des Ansaugventils

Um das Ansaugventil zu erreichen, muss der Luftfilter wie in Abschnitt 5.5 entfernt werden. Öffnen Sie nun die Drosselklappe manuell um sicher zu gehen, dass es reibungslos und komplett geöffnet werden kann.

Falls die Drosselklappe blockiert, oder nicht ordnungsgemäß arbeitet, muss ein neues Ventil eingebaut werden.

## 5.10 Wartung der Lagerung am Elektromotor

Während der Kompressor in Gebrauch ist, müssen die Motorlager mit frischem viskosem Schmiermittel (für Wälzlager) gewartet werden.

Die Schmiermittel müssen mit einer speziellen Injektionsspritze für viskose Schmiermittel in die Lagerdeckel eingebracht werden.

Sie können die Ölmenge mit der folgenden Formel berechnen.

Überschmieren Sie die Lager nicht. Das überflüssige Öl wird sonst aus den Lagern in den laufenden Motor gequetscht.

$$D^2_{\text{motor shaft}} \text{ (mm)} \times 0.005 = M_{\text{(lubricant mass)}} \text{ (g)}$$

Überschmieren Sie die Lager nicht. Das überflüssige Öl wird sonst aus den Lagern in den laufenden Motor gequetscht.

# 6. Fehlerbehebung

## 6.1 Fehlerbeschreibung und Fehlerbehebung

Problem	Mögliche Fehler	Fehlerbehebung
Der Kompressor startet mit Verzögerung und die Motorgeschwindigkeit steigt sehr langsam	Der Riemen wurde überspannt	Tighten the belt with the relevant load
	Das Schmiermittel hat eine zu feste Konsistenz	Replace the oil
Es pfeift während des Betriebes	Der Schlupf des Riemens ist zu groß	Spannen Sie den Riemen nach (siehe auch 5.3 Überprüfung des Antriebsriemens)
Der Kompressor startet nicht und auf dem Display wird das Temperatursymbol angezeigt	Die Umgebungstemperatur differenziert sich von der geforderten Betriebstemperatur (unter +5 °C or über +40 °C)	Sorgen Sie für eine Anpassung der Umgebungstemperatur

Der Kompressor überhitzt	Die Luftzirkulation im Gebäude ist zu gering	Steigerung der Luftzirkulation Im Gebäude
	Ölstand zu tief	Öl nachfüllen
	Der Wärmeaustauscher ist verschmutzt	Blasen Sie den Wärmeaustauscher von unten nach oben mit Druckluft ab
Das Sicherheitsventil des Separatorkessels ist aktiviert	Der Separator ist verschmutzt	Austauschen des Separators
	Der Druck ist zu hoch, über 13 Bar	Setzen Sie den Betriebsdruck unter 13 bar

## 7. Lagerung und Entsorgung

### 7.1 Lagerbedingungen

Der Temperaturbereich zwischen -20 °C und +35 °C mit max. 85% relative Luftfeuchtigkeit sollte bei der Lagerung des Kompressors eingehalten werden.

### 7.2. Entsorgung des Öls und des Prozesskondensats

Benutztes Öl, verschmutzte Filter und Separatoren sollten in einem abgedichteten Container gelagert und von einem lokalen Recyclingunternehmen entsorgt werden. Achten Sie darauf, dass Öl nicht mit Regen- oder Grundwasser in berührung kommt. | Prozesskondensat beinhaltet Öl und Verunreinigungen. Die lokalen Umweltgesetze bestimmen den Grad der Kontamination des Prozesskondensats, das in die Kanalisation eingeleitet werden darf. Benutzen Sie Kondensatabscheider, um Öle und andere Verunreinigungen zu entfernen. Austauschelemente der Separatoren müssen genauso, wie mit Öl verunreinigte Reinigungstücher, professionell entsorgt werden.

© Comprag ®. Все права защищены.

Перепечатка текста и / или использование графики, допускается только с письменного разрешения Comprag®.

Производитель оставляет за собой право без уведомления потребителя вносить изменения в конструкцию изделий для улучшения их технологических и эксплуатационных параметров.

Вид изделий может незначительно отличаться от представленных на изображениях.

<b>1. Правила техники безопасности</b>	<b>63</b>
1.1 Символы, использованные в инструкции	<b>63</b>
1.2 Общие меры безопасности	<b>63</b>
1.3 Меры безопасности при вводе в эксплуатацию	<b>64</b>
1.4 Меры безопасности при эксплуатации	<b>65</b>
1.5 Меры безопасности при обслуживании и ремонте	<b>66</b>
<b>2. Устройство и принцип работы</b>	<b>68</b>
2.1 Технические данные	<b>68</b>
2.2 Назначение	<b>68</b>
2.3 Принцип работы	<b>69</b>
2.4 Принцип действия	<b>70</b>
2.5 Система регулировки	<b>70</b>
2.6 Электрическая схема	<b>71</b>
2.7 Данные электрических подключений	<b>72</b>
<b>3. Ввод в эксплуатацию</b>	<b>72</b>
3.1 Такелажные работы	<b>72</b>
3.2 Габаритные размеры	<b>73</b>
3.3 Подготовка помещения	<b>74</b>
3.4 Подсоединения к линии сжатого воздуха	<b>75</b>
3.5 Подключение к электропитанию	<b>75</b>
<b>4. Эксплуатация</b>	<b>76</b>
4.1 Панель управления	<b>76</b>
4.2 Индикация ошибок	<b>80</b>
4.3 Включение компрессора	<b>80</b>
4.4 Выключение компрессора	<b>81</b>
<b>5. Настройка и сервисное обслуживание</b>	<b>81</b>
5.1 График технического обслуживания	<b>81</b>
5.2 Проверка уровня масла	<b>82</b>
5.3 Проверка приводных ремней	<b>82</b>
5.4 Замена масла и масляного фильтра	<b>83</b>
5.5 Замена воздушного фильтра	<b>84</b>
5.6 Замена приводных ремней	<b>85</b>
5.7 Замена сепарационного элемента	<b>85</b>
5.8 Продувка радиатора охлаждения	<b>86</b>
5.9 Проверка всасывающего клапана	<b>86</b>
5.10 Обслуживание электродвигателя	<b>86</b>
<b>6. Устранение неисправностей</b>	<b>87</b>
6.1 Возможные неисправности	<b>87</b>
<b>7. Хранение и утилизация</b>	<b>87</b>
7.1 Хранение	<b>87</b>
7.2 Утилизация	<b>87</b>

	Внимательно ознакомьтесь с технической документацией, инструкцией по эксплуатации и правилам техники безопасности. Большинство несчастных случаев при эксплуатации компрессорной техники происходит из-за несоблюдения правил безопасности. Не допускайте возникновения опасных ситуаций и соблюдайте соответствующие правила техники безопасности.
--	---

	Производитель оставляет за собой право вносить изменения в конструкцию с целью улучшения продукции без уведомления потребителя!
--	---

# 1. Правила техники безопасности

## 1.1 Символы, используемые в инструкции

	Опасно для жизни.
	Предупреждение.
	Внимание.

## 1.2 Общие правила безопасности

	Вся ответственность за травмы или повреждения, полученные вследствие несоблюдения правил техники безопасности при установке, эксплуатации или обслуживанию, а также при несанкционированном использовании данного оборудования, возлагается на потребителя!
--	---

1. Оператор должен неукоснительно соблюдать правила техники безопасности, предусмотренные этими инструкциями и местным законодательством!
2. При сравнении данных правил безопасности с правилами местного законодательства, необходимо выбирать те, которые предъявляют более жёсткие требования!
3. К эксплуатации, техническому обслуживанию и ремонту оборудования Comrag допускается только обученный обслуживающий персонал с соответствующей степенью профессиональной подготовки!
4. Сжатый воздух непосредственно после компрессора может содержать масла и углекислый газ и не является пригодным для дыхания! Необходимо провести очистку сжатого воздуха до класса чистоты воздуха пригодного для дыхания, соответствующего нормам местного законодательства!
5. Сжатый воздух – источник энергии высокой степени опасности. Запрещается использование сжатого воздуха не по назначению! Не применяйте его для чистки одежды и обуви, не направляйте рукава сжатого воздуха в сторону людей и животных! При использовании воздуха для чистки оборудования, делайте это с особой осторожностью с применением защитных очков!
6. Все работы по техническому обслуживанию, ремонту, настройке, монтажу и т.п. должны производиться при выключенном оборудовании, с отключенным от сети кабелем питания, с отсоединенными от изделия рукавами сжатого воздуха, работы необходимо проводить в защитных очках! Убедитесь, что оборудования отключено от сети сжатого воздуха и не находится под давлением!

### 1.3 Меры безопасности при вводе в эксплуатацию



Вся ответственность за травмы или повреждения, полученные вследствие несоблюдения правил техники безопасности при установке, эксплуатации или обслуживанию, а также при несанкционированном использовании данного оборудования, возлагается на потребителя!

1. Разгрузка/погрузка оборудования должна проводиться только при помощи соответствующих приспособлений или подъёмных механизмов. Ручной подъём и перемещение запрещены. Не оставляйте оборудование в подвешенном состоянии. При разгрузочных работах используйте каску.
2. Разместите изделие в сухом и чистом помещении, исключаяющим прямого воздействия атмосферных осадков. Помещение должно хорошо проветриваться; при необходимости обеспечьте принудительной вентиляцией.
3. Запрещается использовать изношенные, поврежденные или испорченные рукава сжатого воздуха. Убедитесь, что рукава по номинальному диаметру и рабочему давлению соответствуют данному оборудованию.
4. При использовании в системе нескольких компрессорных станций, каждый компрес-



- сор должен предполагать наличие ручного крана для возможности отсечения любого из них в случае возникновения внештатных ситуаций.
5. Не допускается наличие в атмосферном воздухе взрыво- и пожароопасных примесей, таких как: пары растворителей, углеродная пыль и т.п.
  6. Обеспечьте свободный доступ к рукаву сжатого воздуха из компрессора. Не захламляйте его, не храните в непосредственной близости легковоспламеняющиеся материалы.
  7. Не пережимайте, не деформируйте подводные рукава сжатого воздуха.
  8. Не перекрывайте перфорации для обеспечения оборудования воздухом для охлаждения. Обеспечьте хорошее проветривание помещения.
  9. При использовании дистанционного управления, изделие должно чётко и ясно сигнализировать об этом: **ВНИМАНИЕ:** Эта машина управляется дистанционно и может начать работу без предупреждения! Оператор, использующий дистанционный путь управления оборудованием, должен убедиться, что с изделием не проводится в этот момент никаких монтажных и прочих работ. После дистанционного выключения оборудования оператор должен убедиться, что оборудование действительно выключено!
  10. Оборудование должно быть заземлено. Обеспечьте защиту от короткого замыкания. Пусковой рубильник должен находиться в непосредственной близости от оборудования и иметь защиту от несанкционированного запуска.



Потребитель несет полную ответственность за соответствие условий эксплуатации электрического двигателя, установленного в оборудовании. Эксплуатация оборудования без защитной аппаратуры не допускается. Защитная аппаратура должна обеспечивать защиту электрического двигателя от коротких замыканий, перегрузок (систематической и пусковой) и неполнофазных режимов. Установка защитной аппаратуры является обязанностью потребителя.

11. На оборудовании с автономной системой регулировки с функцией автоматического перезапуска рядом с панелью управления должна быть закреплена информационная табличка: **ВНИМАНИЕ:** Эта машина может начать работу без предупреждения!
12. Любые ёмкости и сосуды, работающие под давлением, должны быть оборудованы предохранительными клапанами! Запрещается любой несанкционированный монтаж, демонтаж или настройка прилагаемых предохранительных клапанов.

## 1.4 Меры безопасности при эксплуатации



Вся ответственность за травмы или повреждения, полученные вследствие несоблюдения правил техники безопасности при установке, эксплуатации или обслуживанию, а также при несанкционированном использовании данного оборудования, возлагается на потребителя!

1. Убедитесь, что рукава по номинальному диаметру и рабочему давлению соответствуют данному оборудованию. Перед запуском проверьте крепление каждого соединения рукава. Не полностью закреплённый рукав может стать причиной серьёзных травм!
2. Никогда не включайте оборудование, если есть подозрение на наличие в атмосферном воздухе легковоспламеняющихся примесей!
3. Оператор, использующий дистанционный путь управления оборудованием, должен убедиться, что с изделием не проводится в этот момент никаких монтажных и прочих работ! При этом на оборудовании должна быть прикреплена информационная табличка об этом: ВНИМАНИЕ: Эта машина управляется дистанционно и может начать работу без предупреждения!
4. Оператору запрещается работать с оборудованием, если он утомлен, находится под воздействием алкоголя, наркотических средств или лекарственных препаратов, вызывающих замедленную реакцию организма.
5. Запрещается работа оборудования с демонтированными элементами корпуса. Двери или панели могут быть открыты на непродолжительные моменты времени для осмотра и плановых проверок. При это рекомендуется использовать оборудования для защиты органов слуха.



В некоторых типах оборудования открытие дверей или снятие панелей во время работы может привести к его перегреву.

6. Персонал, находящийся в условиях или помещении где уровень звукового давления достигает или превышает значение 90 дБ (А), должен использовать защитные наушники.
7. Если атмосферный воздух, используемый для охлаждения оборудования, применяется при отоплении помещений, примите меры для его фильтрации, чтобы можно было использовать его для дыхания.
8. Периодически проверяйте:
  - наличие на своих местах предохранительных устройств и их крепление;
  - исправность и герметичность всех рукавов и трубопроводов;
  - отсутствие утечек;
  - затяжки крепёжных элементов и элементов конструкции;
  - все электрические кабели и контакты на исправность и безопасность;
  - работоспособность предохранительных устройств, наличие грязи и т.п.
  - все элементы конструкции находятся в рабочем состоянии, без износа.

## 1.5 Меры безопасности при обслуживании и ремонте



Вся ответственность за травмы или повреждения, полученные вследствие несоблюдения правил техники безопасности, при установке, эксплуатации или обслуживанию, а также при несанкционированном использовании данного оборудования, возлагается на потребителя!

1. Разрешается использовать только оригинальные запасные части и вспомогательные принадлежности. Использование запчастей других производителей может привести к непредсказуемым последствиям и, как результат, к несчастным случаям.
2. При проведении монтажных и ремонтных работ всегда используйте защитные очки!
3. Перед подключением или отключением оборудования отсоедините его от основной пневмосети. Убедитесь в отсутствии давления в рукавах!
4. Перед началом монтажных или прочих работ, убедитесь, что оборудование не нагружено давлением. Монтажные работы с оборудованием под давлением запрещены!
5. Все работы по техническому обслуживанию должны проводиться только тогда, когда температура элементов конструкции упадёт до комнатной.
6. Никогда не используйте для чистки элементов конструкции легковоспламеняющиеся растворители или тетрахлорид углерода. При протирке примите меры предосторожности против ядовитых паров чистящих жидкостей.
7. При проведении монтажных и ремонтных работ необходимо закрепить на панель управления информационную табличку для предотвращения от несанкционированного запуска. Например, «Не включать. Работают люди!»
8. Оператор, использующий дистанционный путь управления оборудованием, должен убедиться, что с изделием не проводится в этот момент никаких монтажных и прочих работ! При этом на оборудовании должна быть прикреплена информационная табличка об этом. Смотри 1.3.9.
9. Содержите помещение, в котором установлено оборудование, в чистоте. Открытые входные и выходные отверстия во время монтажа закрывайте сухой ветошью или бумагой, во избежание попадания мусора в оборудование.
10. Запрещается проводить сварные и прочие подобные работы непосредственно вблизи данного оборудования, а также сосудов, работающих под давлением.
11. При малейшем подозрении на перегрев, воспламенение или другую внештатную ситуацию выключите оборудование. Незамедлительно обесточьте его. Не открывайте двери оборудования до тех пор, пока температура не упадёт до комнатной во избежание получения ожога или травмы.
12. Запрещается использование источников света с открытым пламенем для осмотра и ревизии оборудования.
13. Никогда не используйте едкие растворители, которые могут повредить материалы пневмосети.
14. После проведения монтажных и прочих работ убедитесь, что внутри не осталось инструмента, ветоши, запасных частей и т.п.
15. Особое внимание стоит уделять предохранительным клапанам. Тщательно следите за ними, вовремя удаляйте пыль и грязь. Ни при каких условиях они не должны утратить свой функционал. Помните, от их работы зависит Ваша безопасность!
16. Перед началом работы в штатном режиме после технического обслуживания или ремонта, проверьте, что рабочее давление, температура и прочие характеристики выставлены правильно. Убедитесь, что все управляющие и контролирующие устройства установлены и функционируют верно.

17. При замене фильтров, сепараторов и т.п., протрите сухой ветошью места их крепления от пыли, грязи, остатков масла.

18. Защитите двигатель, воздушный фильтр, электрические и регулирующие компоненты и т.п. от выпадения конденсата. Например, продуйте сухим воздухом.

19. Используйте защитные перчатки во время монтажных и ремонтных работ во избежание получения ожогов и травм. Например, при замене масла.

## 2. Технические данные



Несоблюдение данных инструкций, использование неоригинальных запчастей, отсутствие гарантийного талона может привести к прекращению действия гарантии.

### 2.1 Технические данные

Артикул	Модель	Мощность (кВт)	Рабочее давление (bar)	Производительность (м <sup>3</sup> /min)	Электропитание (фаза/В/Гц)	Шум (дБ)	Резьбовое подсоединение	Кол-во масла* (л)
11100061	A3008	30	8	4,7	3/380/50	70	1-1/4"	15
11100062	A3010		10	4,0				
11100063	A3013		13	3,5				
11100071	A3708	37	8	5,9		72		
11100072	A3710		10	5,1				
11100073	A3713		13	4,4				
11100081	A4508	45	8	7,0		73	1-1/2"	20
11100082	A4510		10	6,2				
11100083	A4513		13	5,3				
11100091	A5508	55	8	8,7				
11100092	A5510		10	7,7				
11100093	A5513		13	6,5				

\* Соответствует стандартам DIN 51506 VDL, ISO 6743/3A. Класс вязкости по ISO VG 46.

### 2.2 Назначение

Винтовые маслозаполненные компрессоры Comrag A-серии предназначены для бесперебойного и экономичного производства сжатого воздуха на промышленных предприятиях. В компрессорах A-серии для передачи энергии использован ременной привод от электродвигателя. Для управления параметрами компрессор оборудован контроллером pro-LOG с LCD дисплеем, включающем в себя кнопки старт/стоп и экстренного останова.

## 2.3 Принцип работы

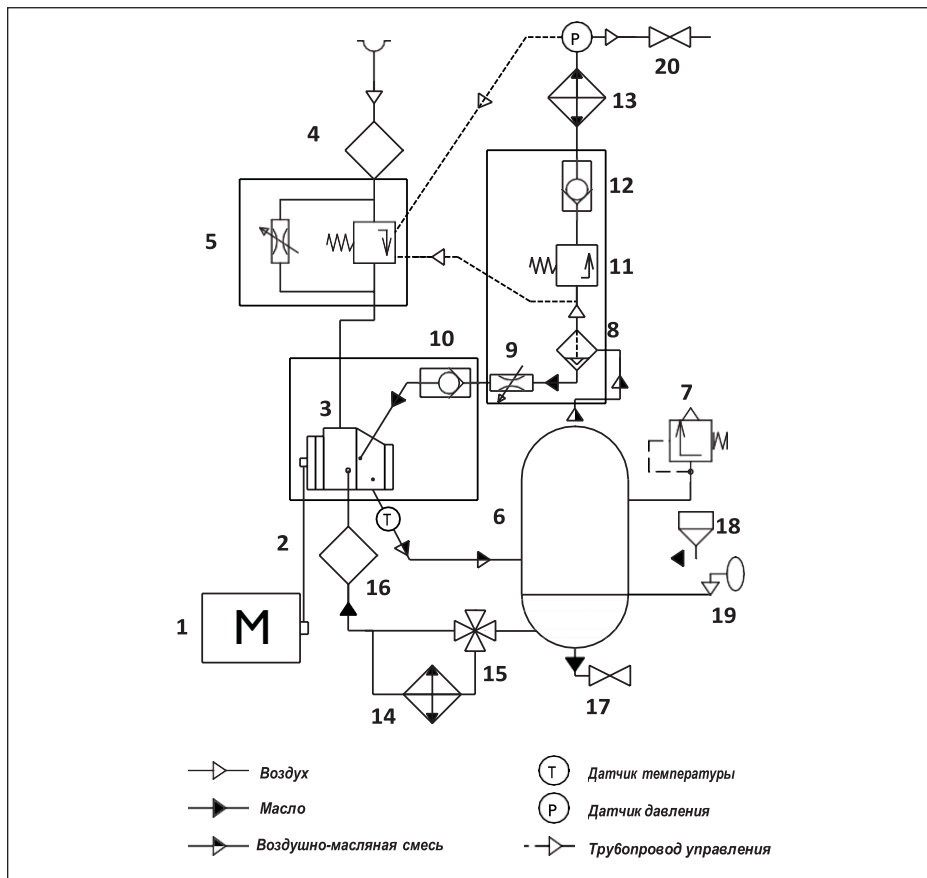


Рис. 2.3 Схема пневматическая А 30-55

### Основные компоненты

1	Электродвигатель	11	Клапан минимального давления
2	Ременная передача	12	Клапан обратный
3	Блок винтовой	13	Радиатор, секция воздуха
4	Фильтр воздушный	14	Радиатор, секция масла
5	Клапан всасывающий	15	Термостат
6	Бак-сепаратор	16	Фильтр масляный
7	Клапан предохранительный	17	Кран
8	Сепарационный элемент	18	Пробка заливная
9	Дроссель	19	Смотровой глазок уровня масла
10	Клапан обратный	20	Кран, выход воздуха

## 2.4 Принцип действия (Смотри рис. 2.3)

### Воздух:

Очищенный при помощи воздушного фильтра (4) воздух, проходя через всасывающий клапан (5), попадает в блок винтовой (3). Одновременно с поступающим для охлаждения и смазки маслом, воздух сжимается до установленного на контроллере требуемого давления. Далее воздушно-масляная смесь попадает в бак-сепаратор (6), где большая часть масла сепарируется. Остатки масла отфильтровывает сепарационный элемент (8). Затем чистый воздух охлаждается, проходя через радиатор (13), и поступает потребителю.

### Масло:

Масло, отделённое от воздуха в баке-сепараторе (6), очищенное масляным фильтром (16), поступает обратно в винтовой блок (6) для охлаждения и смазки подшипников. Система циркуляции масла оборудована термостатом (15). Для быстрого нагрева компрессора масло проходит по системе по малому контуру, минуя радиатор (14). Сделано это для того, чтобы избежать конденсации на элементах компрессора, присутствующей в воздухе, влаги. При открытии термостата система поддерживает себя автоматически в диапазоне температуры срабатывания.

### Система охлаждения:

Система охлаждения – это комбинированный радиатор, состоящий из воздушной (13) и масляной (14) частей. Обдув происходит вентилятором, закреплённым непосредственно на валу электродвигателя.

## 2.5 Система регулировки

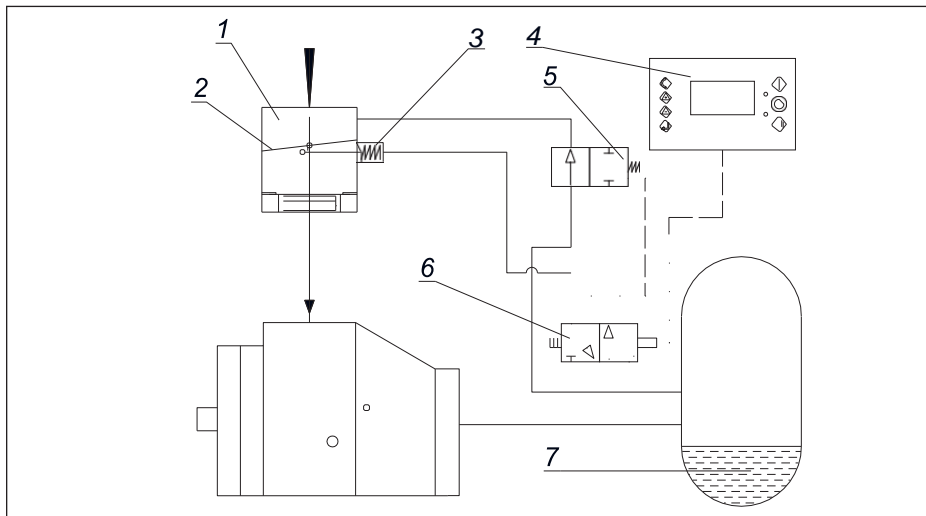


Рис. 2.5 Система регулировки

Для управления параметрами компрессор оборудован контроллером pro-Log, который в автоматическом режиме отслеживает расход потребителем воздуха. При падении давления в пневмосети ниже установленного уровня, контроллер даёт команду на запуск компрессора. При достижении максимального установленного уровня, компрессор переходит в режим ожидания (холостой ход), время которого устанавливается на контроллере.

### Разгрузка:

Когда расход воздуха потребителем меньше, чем производительность компрессора, давление в пневмосети достигает установленного максимума. Электромагнитный клапан (6) прекращает регулировку системы:

1. Управляющий воздух перестаёт подаваться на заслонку (2) всасывающего клапана (1). Она закрывается под действием пружины (3). Всасывание воздуха прекращается.
2. Разгрузочный клапан (5) открывается и сбрасывает внутреннее давление в атмосферу, разгружая систему и бак-сепаратор (7).
3. Давление в системе стабилизируется, потребление воздуха отсутствует, компрессор переходит в режим ожидания: двигатель не выключается, создавая в системе небольшое давление для обеспечения компрессору облегчённого старта. Время режима ожидания до останова или включения компрессора может быть установлено на контроллере в зависимости от условий потребления.

### Нагрузка:

С увеличением потребления воздуха, давление в пневмосети падает до минимального установленного предела, электромагнитный клапан (6) возобновляет регулировку. Управляющий воздух подаваться на пружину (3). Заслонка (2) открывается. Разгрузочный клапан (5) закрывается. Всасывание воздуха возобновляется. Компрессор переходит в режим 100% нагрузки.

## 2.6 Схема электрическая принципиальная

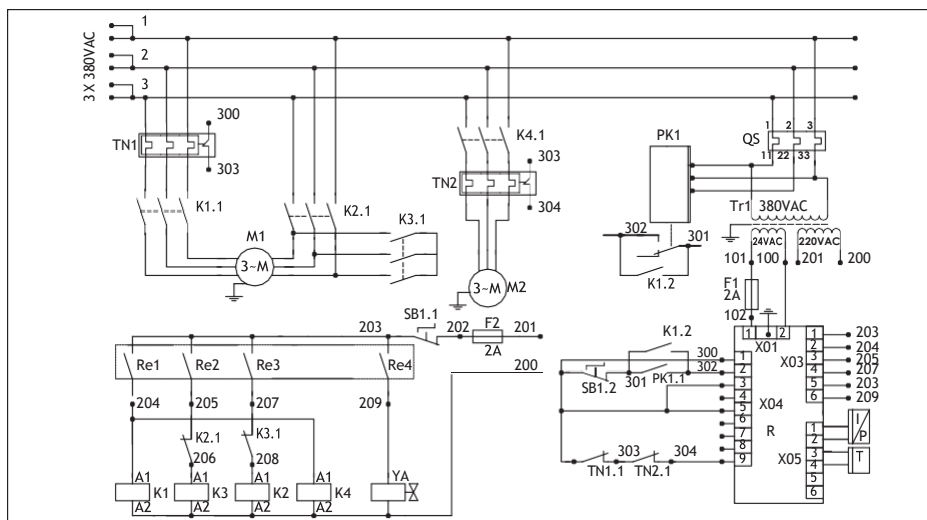


Рис. 2.6 Схема электрическая А 30-55

## Основные компоненты


K1, K2, K3, K4	Контактор	YA	Клапан электромагнитный
M1, M2	Электродвигатель	R	Блок управления
T	Датчик температуры	I/P	Датчик давления
SB	Кнопка экстренной остановки	TN1, TN2	Реле тепловое
F1, F2	Предохранитель	TR	Трансформатор
PK1.1	Реле контроля фаз	QS	Выключатель автоматический

## 2.7 Данные электрических подключений

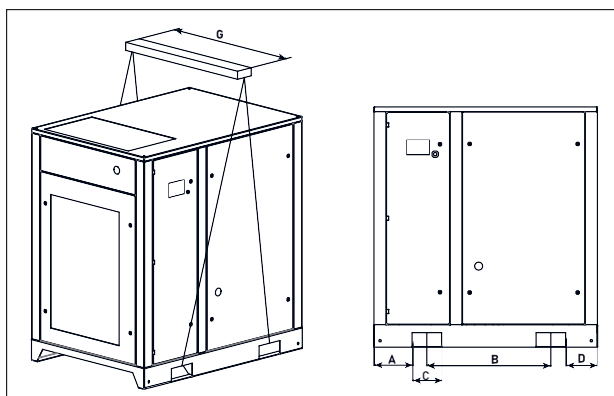
Напряжение (В)	Частота (Гц)	A30..	A37..	A45..	A55..
Материал кабеля - медь. Сечение жилы кабеля (мм <sup>2</sup> )					
380	50	16	25	35	50
Предохранители (А)					
380	50	63	80	100	125
Уставка теплового реле (А)					
380	50	31,8	38,1	46,2	56

## 3. Ввод в эксплуатацию

### 3.1 Такелажные работы

	<p>Присутствие на изделии вмятин, сколов и прочих повреждений может привести к прекращению действия гарантии.</p>
---	---

Проверьте визуально отсутствие повреждения упаковки, если повреждений нет, поставьте блок рядом с выбранным местом монтажа и распакуйте. Перемещение оборудования



должно проводиться только при помощи соответствующих приспособлений или подъёмных механизмов. Ручной подъём и перемещение запрещены. Даже в упаковке, держите оборудование в защищенном от воздействия погодных явлений месте.

Рис. 3.1 Схема для такелажных работ А 30-55



Модель	A, mm	B, mm	C, mm	D, mm	G, mm
A30	332	775	185	292	1200
A37					
A45	540	775	185	150	1300
A55					

### 3.2 Габаритные размеры

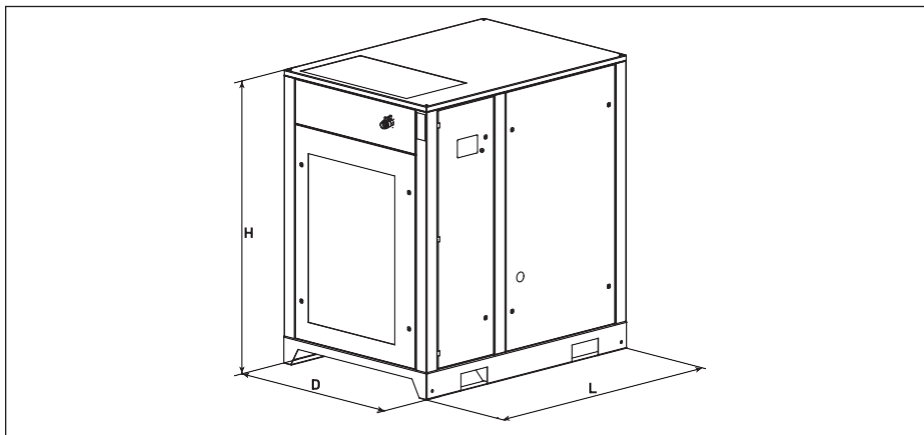


Рис. 3.2 Габаритные размеры А30 – А55

Модель	Размеры компрессора				Размеры в упаковке			
	Длина L, мм	Ширина D, мм	Высота H, мм	Масса, кг	Длина L, мм	Ширина D, мм	Высота H, мм	Масса, кг
A30	1400	1000	1500	705	1600	1100	1750	777
A37				745				830
A45	1650	1100	1730	950	1850	1200	1860	1165
A55				1150				1194

### 3.3 Подготовка помещения

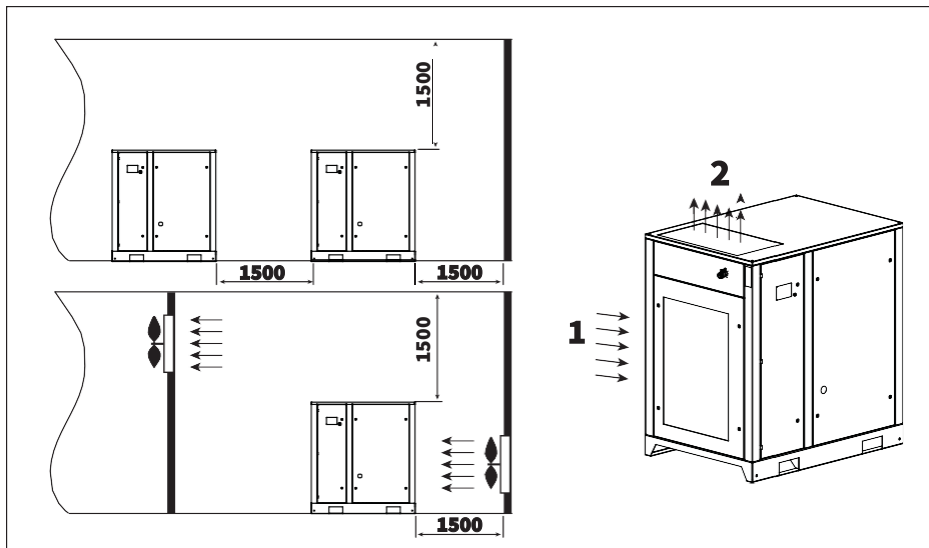


Рис. 3.3 Схема установки компрессора А30 – А55

1. Забор воздуха компрессором
2. Выход воздуха из компрессора

Минимальные требования для установки:

- Выберите чистое не запылённое и сухое помещение, защищённое от атмосферных осадков.
- В помещении пол должен быть ровный, горизонтальный и выдерживать вес компрессора. Если компрессор не закреплён к полу, угол отклонения пола не должен превышать 3°. В случае крепления, максимальное отклонения должно составлять 7°.
- Минимальная температура окружающей среды +5 °С.
- Максимальная температура окружающей среды +40 °С.
- В помещении должен быть предусмотрен приток свежего воздуха в объёме, соответствующем двукратной производительности компрессора.
- В помещении, оборудованном приточно-вытяжной механической вентиляцией, объём воздуха вытяжной вентиляции не должен превышать 40% объёма воздуха приточной вентиляции.



Размещение компрессора в ненадлежащих окружающих условиях может привести к потере его работоспособности вследствие сверхвысоких нагрузок. Поломки компрессора, вызванные неправильной эксплуатацией, не рассматриваются как гарантийные

Не блокируйте, даже частично, вентиляционную перфорацию компрессора и осушителя. Избегайте возможной рециркуляции воздуха от других источников тепла.

### 3.4 Подсоединение к линии сжатого воздуха

Все работы по подключению компрессорного оборудования должны проводиться при отсутствии давления в пневмосети. Операции по подключению к линии сжатого воздуха должны производиться только квалифицированным специалистом.

Размеры и рабочие характеристики рукавов и арматуры должны соответствовать количеству и давлению подаваемого воздуха из компрессора. Занижение может привести к разгерметизации системы и стать причиной травм оператора и повреждений оборудования. При использовании дополнительных ресиверов, подбирайте их в зависимости от потребления сжатого воздуха и производительности компрессора.

### 3.5 Подключение к электропитанию

Компрессор не комплектуется кабелем питания. Сечение кабеля необходимо подобрать в соответствии с потребляемой мощностью компрессора (смотри идентификационную таблицу на корпусе). Кабель должен быть в оплетке (оболочке), не поддерживающей горение. Сечение силового кабеля должно выдержать потенциально возможные скачки напряжения в пределах +5%.

Длина кабеля не должна превышать 25м.



Компрессор должен быть заземлён и защищён то короткого замыкания. Также примите меры для защиты от колебаний напряжения

Силовой кабель должен быть заведён внутрь компрессора.

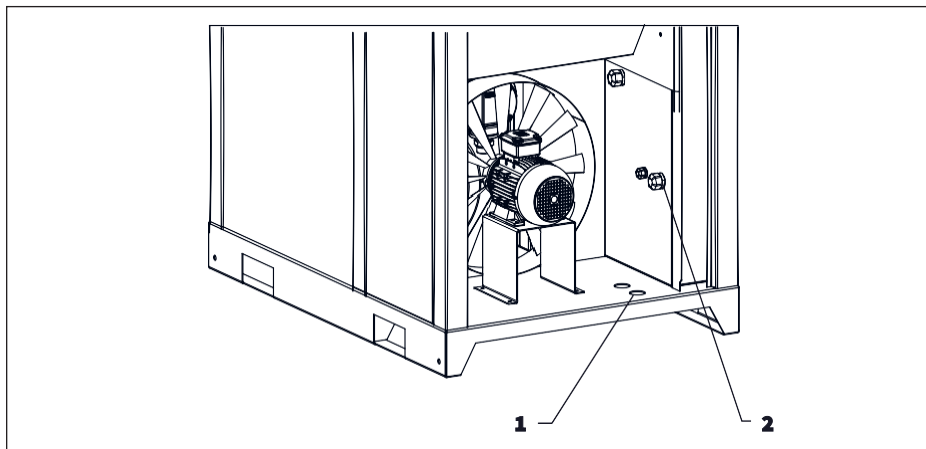


Рис. 3.5.1 Подвод силового кабеля

Снимите левую панель и пропустите кабель сквозь специальное отверстие (1) в основании компрессора. Затем пропустите его через пластиковый ввод (2).

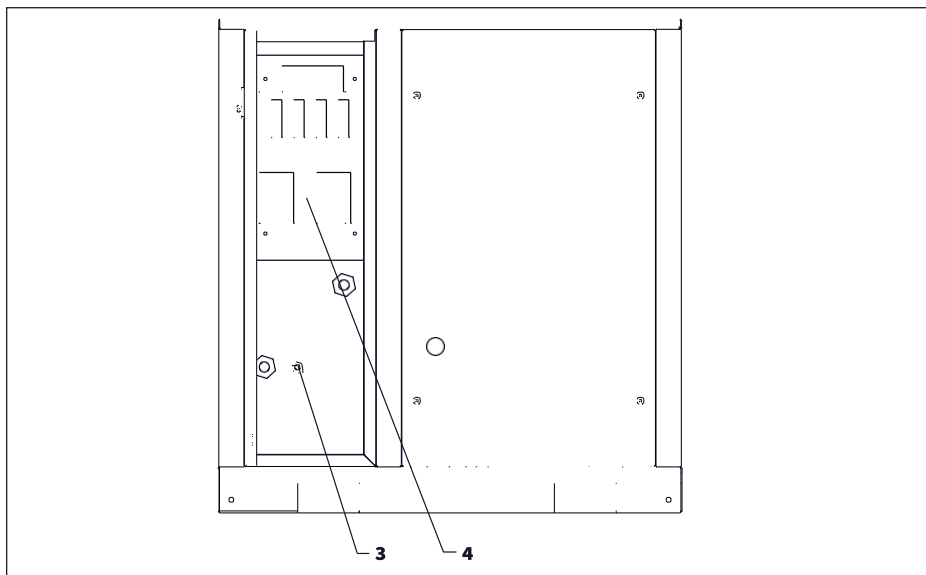


Рис. 3.5.2 Подключение к электропитанию

Подключите силовой кабель согласно электрической схеме. Смотри пункт 2.6.  
Для заземления используйте болт позиции 3.

## 4. Эксплуатация



К эксплуатации компрессора допускается только квалифицированный персонал.

### 4.1 Панель управления

Для управления параметрами компрессоры А30 – А55 оборудованы контроллером pro-Log, который в автоматическом режиме отслеживает расход потребителем воздуха. При падении давления в пневмосети ниже установленного уровня, контроллер даёт команду на запуск компрессора. При достижении максимального установленного уровня, компрессор переходит в режим ожидания (холостой ход), время которого устанавливается на контроллере.

Также в контроллере предусмотрена долговременная память для хранения оперативных данных: времени наработки, значений счетчиков, состояний системы и т.д.

## Панель управления.

В целях изменения программируемых параметров и осуществления контроля за работой компрессора, пульт управления контроллера снабжён:

- LEDs дисплеем с подсветкой, отображающим основные параметры работы компрессора;
- дисплей с указанием условий эксплуатации, время ТО, неисправностей;
- кнопки для программирования параметров компрессора;
- кнопки ручного пуска/останова компрессора;
- кнопка экстренного останова (устанавливается отдельно).

### Вид панели управления

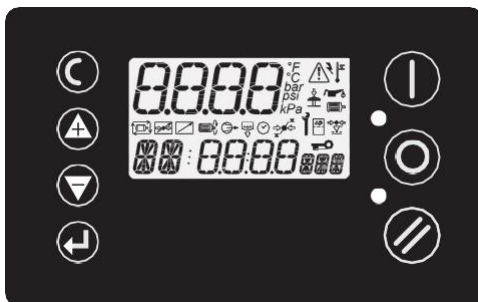


Рис. 4.1 1 Панель управления

	Пуск компрессора		Выход
	Остановка компрессора		Вверх
	Возврат в основное меню		Вниз
			Ввод

Информационный LED дисплей.

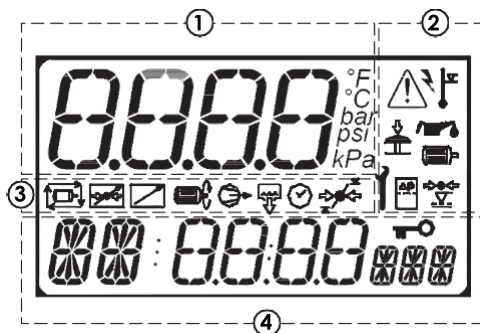












Рис. 4.2 LCD дисплей.







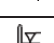
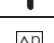
Дисплей делится на 4 зоны.

<b>Вверху слева: «Поле индикации»:</b>	Четырехзначный цифровой 7-ми сегментный код, используется для постоянного отображения давления воздуха в сети в нормальном рабочем режиме или номер страницы меню в режиме программирования
<b>Вверху справа: «Поле символа ошибки»:</b>	При помощи символов отображаются общие характерные ошибки
<b>Середина: «Информационное поле»:</b>	При помощи символов отображает состояние компрессора
<b>Внизу: «Поле параметров»:</b>	<ul style="list-style-type: none"> <li>– двухзначный буквенно-цифровой 14-ти сегментный код - наименование параметра;</li> <li>– четырехзначный цифровой 7-ми сегментный код - значение параметра;</li> <li>– трехзначный буквенно-цифровой 14-ти сегментный код - единицы измерения параметра.</li> </ul>

Рабочие символы дисплея:

	Двигатель работает		Активна функция слива конденсата (факультативная функция)
	Загружено		Автоматический перезапуск при отключении энергии (факультативная функция)
	Количество времени, таймер		Активна удаленная регулировка давления или нагрузки
	Фильтр, перепад давления		Удаленный пуск/остановка
	Контрольные точки давления (верхние и нижние контрольные точки указаны отдельно)		Рабочий режим: выбранный элемент закреплен как временное значение по умолчанию Режим меню: пункт заблокирован (корректировка запрещена)

Символы обозначения неисправностей:

	Общая ошибка		Необходимость замены масла
	Аварийная остановка		Перегрузка двигателя или ошибка инвертора для компрессоров с частотным преобразователем
	Отсутствие питания		Необходимость техобслуживания
	Превышение температуры масла		Необходимость замены воздушного фильтра

### Световая индикация

Условные обозначения
● горит постоянно
○ не горит
⊙ медленно мигает (1 раз в 4 секунды)
● мигает (1 раз в секунду)
● быстро мигает (4 раза в секунду)

Состояние механизма	Зеленый индикатор	Красный индикатор
Ошибка отключения	○	●
Инициация запуска	○	○ или ●*
Проверка запрета пуска	○	○ или ●*
Состояние запрета пуска	○	⊙
Готовность к запуску	○	○ или ●*
Сброс давления	● при запросе на нагрузку ⊙ в остальных случаях	○ или ●*
Ожидание	⊙	○ или ●*
Запуск двигателя	● при запросе на нагрузку ⊙ в остальных случаях	○ или ●*
Задержка нагрузки	● при запросе на нагрузку ⊙ в остальных случаях	○ или ●*
Нагрузка	●	○ или ●*
Задержка перезагрузки	● при запросе на нагрузку ⊙ в остальных случаях	○ или ●*
Переход в режим ожидания	⊙	○ или ●*
Остаточный пробег перед остановкой	●	○ или ●*

\* — в ситуациях аварийного оповещения

### Меню пользователя:

Поз.	Код	Параметр	Диапазон	Индикация
1	P00:C>	Состояние компрессора		0
2	P00:Td	Температура	-10 °C ___ +132 °C.	
3	P00:Pd	Рабочее давление	0-16 Бар.	
4	P00:H1	Общее время работы (наработка)	0-99999 ч.	
5	P00:H2	Время работы под нагрузкой	0-99999 ч.	
6	P00:H3	Контроль компрессора - время до проведения ТО	0-99999 ч.	50

## 4.2 Индикация ошибок

### 4.2.1 Сообщения о неисправностях, в результате которых компрессор немедленно выключается.

Код ошибки	Причина	Метод устранения
Ошибки цифрового входа		
<b>Er: 0010 E</b>	Нажата кнопка аварийной остановки.	Вернуть в исходное положение
<b>Er: 0080 E</b>	Перегрузка двигателя, сработала тепловая защита электродвигателя привода.	Проверить: исправность электродвигателя, установку термореле, натяжение ремней, температуру воздуха в отсеке электроаппаратуры.
Ошибки аналогового входа		
<b>Er: 0115 E</b>	Отказ датчика давления воздуха.	Проверить подсоединение и исправность датчика, в случае необходимости заменить
<b>Er: 0119 E</b>	Высокое давление воздуха	Снизить давление в сети.
<b>Er: 0125 E</b>	Отказ датчика температуры масляно-воздушной смеси.	Проверить подсоединение и исправность датчика, в случае необходимости заменить
<b>Er: 0129 E</b>	Высокая температура масляно-воздушной смеси.	Проверить уровень масла, фильтры, работу термостата, загрязненность радиатора, исправность датчика.
Ошибки специальных функций		
<b>Er: 0821 E</b>	Низкое сопротивление на аналоговом или цифровом входе.	Проверить подсоединение аналоговых и цифровых входов.

### 4.2.2 Сигналы, запрещающие работу компрессора.

<b>Er: 3123 R</b>	Низкая температура масла	Необходим подогрев окружающего воздуха
-------------------	--------------------------	--

### 4.2.3 Сигналы оповещения о неисправности или необходимости проведения сервисного обслуживания, не влекущие за собой отключение компрессора.

<b>Er: 2118 A</b>	Высокий уровень давления воздуха	Проверьте объем сети, отсутствие задвижек на выходе установки
<b>Er: 2128 A</b>	Высокая температура масла	Проверьте чистоту радиатора, температуру окружающего воздуха, работу вентиляции, проведите техобслуживание
<b>Er: 2816 A</b>	Сбой питания во время работы компрессора	Проверьте параметры питающей сети
<b>Er: 4805 A</b>	Истекло время проведения ТО	Проведите ТО



Дальнейшая работа без устранения причины возникновения аварийного сообщения запрещена!

## 4.3 Пуск компрессора




Каждый раз перед запуском компрессора проверьте уровень масла в баке-сепараторе. При низком уровне – долейте масло.



Подключите напряжение.  
Откройте выпускной шаровый кран.

Нажмите кнопку **1** "Пуск" на панели управления контроллера.  
Компрессор запустится. Контроллер будет автоматически управлять работой компрессора по заводским установкам

## 4.4 Выключение компрессора

	<p>Для экстренной остановки компрессора нажмите кнопку аварийного отключения на панели управления контроллера. После устранения неисправности разблокируйте кнопку, вытянув её на себя. После аварийного отключения, компрессор может быть повторно запущен не раньше, чем через 10 минут.</p>
---	--

Нажмите кнопку **2** "Остановка" на панели управления контроллера.  
Компрессор выключится. LCD дисплей потухнет.  
Закройте выпускной шаровый кран. Отключите от сети питания.

# 5. Настройка и сервисное обслуживание

## 5.1 График технического обслуживания

	Ежедневно	Ежемесячно	Ежегодно	Интервал в моточасах			
				Т0-1	Т0-2	Т0-3	Т0-2
				500	2000	4000	6000
Уровень масла	Проверка/ долить						
Масло компрессора				Замена	Замена	Замена	Замена
Фильтр воздушный		Очистка			Замена	Замена	Замена
Фильтр масляный				Замена	Замена	Замена	Замена
Сепарационный элемент						Замена	
Теплообменник		Очистка					
Подшипники электродвигателя			Смазка				
Всасывающий клапан			Проверка				
Клапан мин. давления			Проверка				
Клапан предохранительный			Проверка				

После 6000 часов работы, плановое техническое обслуживание должно включать в себя чередование ТО-2 или ТО-3 через каждые 2000 моточасов или один раз в год, в зависимости от того, что наступит быстрее. Проведение ежедневного, еженедельного, ежемесячного и ежегодного контроля не отменяется проведённым техническим обслуживанием.

## 5.2 Проверка уровня масла

Проверка уровня масла является ежедневной процедурой. Перед проверкой выключите компрессор.

Уровень масла проверяется через смотровой глазок (1), расположенный непосредственно на баке-сепараторе. Масло должно визуально просматриваться в глазке. Если уровень масла ниже и его не видно, долить до середины глазка.

Если эксплуатация проходит в загрязнённых или пыльных условиях, и возникают трудности рассмотреть уровень масла через окно в панели, допускается снять переднюю панель и провести проверку непосредственно на баке-сепараторе.

Запрещается использовать при проверке уровня масла источники света с открытым пламенем.

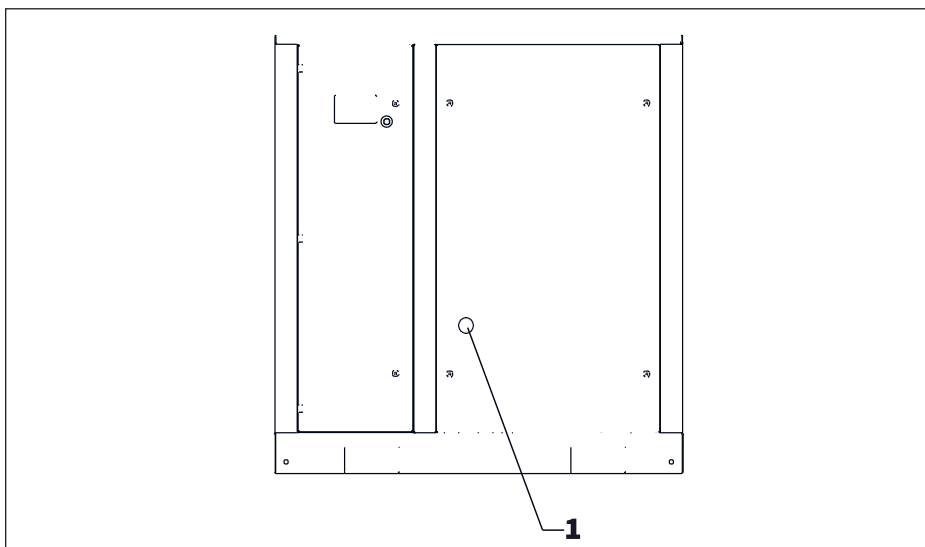
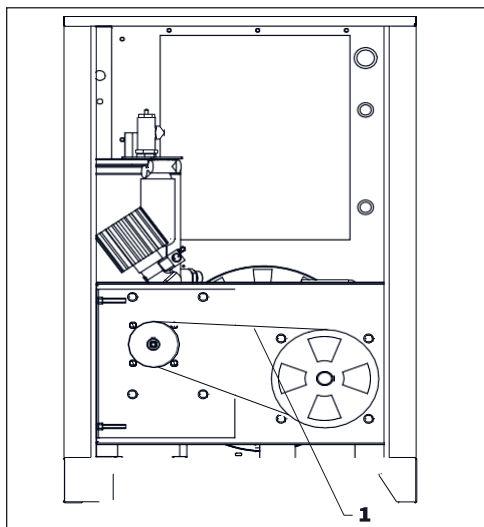


Рис. 5.2 Проверка уровня масла

## 5.3 Проверка приводных ремней

Проверка ремней является ежемесячной процедурой. Перед проверкой выключите компрессор и отключите его от питания.



Снимите левую панель. Визуально продиагностируйте ремни на следы износа, трещин, деформаций и т.п. При наличии представленных выше дефектов – замените ремни (смотрите пункт 5.6.).

Рис. 5.3 . Проверка приводных ремней

Натяжение ремней. Для выставления натяжения, используйте спец. оборудование.

Модель	Рабочее давление, Бар	Натяжения, Н
A30	8	350
	10	350
	13	350
A37	8	400
	10	400
	13	400
A45	8	450
	10	450
	13	450
A55	8	650
	10	650
	13	650

## 5.4 Замена масла и масляного фильтра

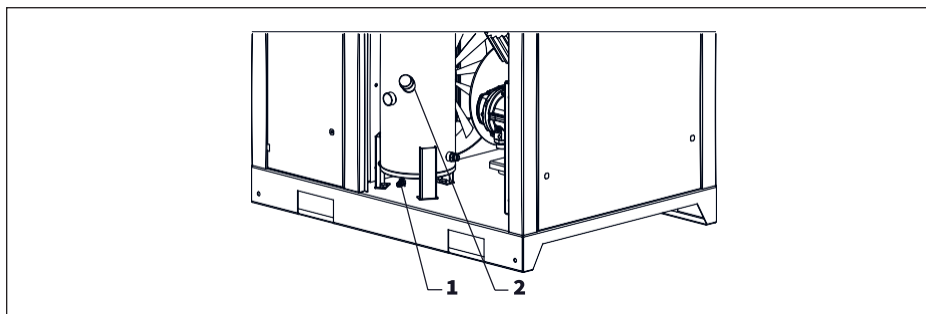


Рис. 5.4.1 Замена масла

Перед заменой масла выключите компрессор и отключите его от питания. Снимите лицевую панель и открутите пробку заливной горловины (2) на один оборот, чтобы стравить оставшееся давление, если таковое присутствует. Открутите пробку (2) и пробку сливного крана (1). Откройте сливной кран и слейте использованное масло в специально подготовленный резервуар подходящего объёма. Залейте через горловину новое масло до середины смотрового глазка. Установите обратно пробки (1) и (2).

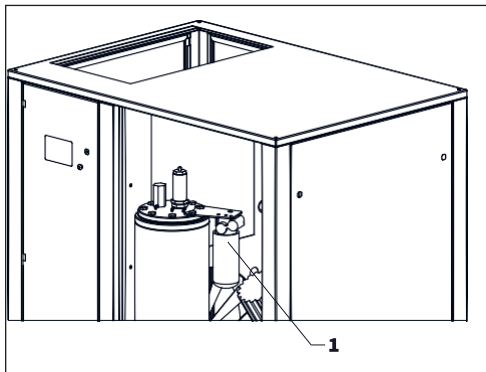


Рис. 5.4.2 Замена масляного фильтра

Снимите лицевую панель. Аккуратно открутите масляный фильтр (1) (допускается использовать специальный ключ-съёмник) и слейте использованное масло из фильтра в специально подготовленный резервуар.

Обязательно смажьте свежим маслом уплотняющую прокладку на новом фильтре. Прикрутите фильтр на место. Прикручивайте фильтр только вручную. Запустите компрессор и дайте проработать в холостом режиме несколько минут, пока свежее масло не разойдётся по системе. Выключите компрессор и проверьте уровень масла. Масло должно быть по середине смотрового глазка. При необходимости – долить.

## 5.5 Замена воздушного фильтра

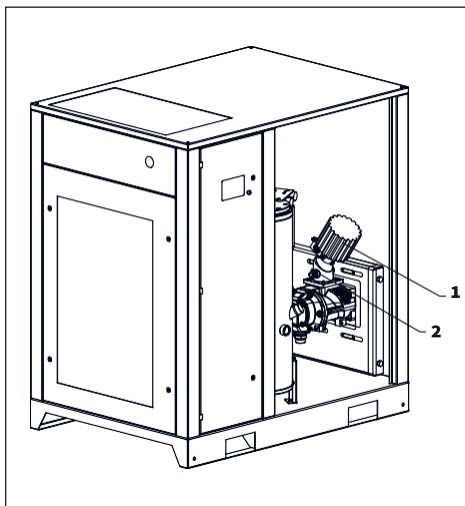


Рис. 5.5 Замена воздушного фильтра

Перед заменой фильтра выключите компрессор и отключите его от питания.

Снимите лицевую панель. Воздушный фильтр (1) крепится на всасывающем клапане. Открутите винт крепёжного хомута (2). Снимите старый фильтр. Установите на его место новый фильтр. Затяните хомут.

## 5.6 Замена приводных ремней

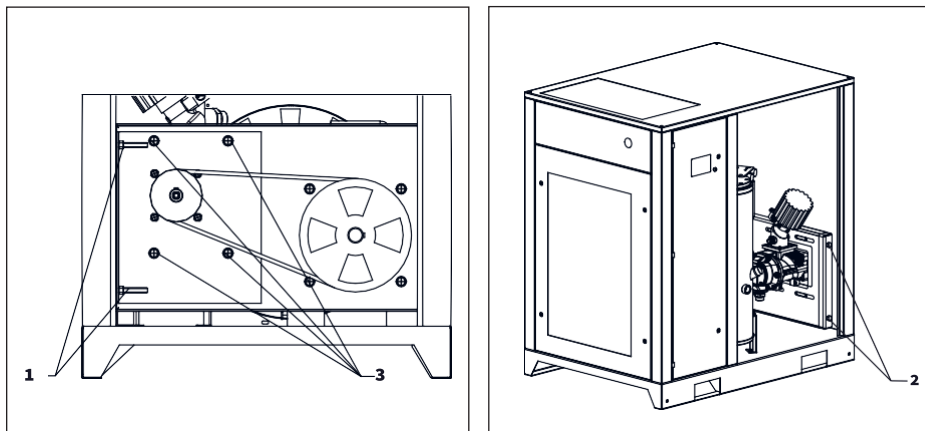


Рис. 5.6 Замена приводных ремней

Перед заменой приводных ремней выключите компрессор и отключите его от питания. Снимите лицевую и правую панели. Ослабьте 4 винта (3). Открутите 2 контрлящих гайки (1) и выкручивайте 2 болта (2) до тех пор, пока ремни не провиснут. Снимите старые ремни и замените их на новые. Проведите описанные выше операции в обратной последовательности. Натяните ремни до значений, указанных в пункте 5.3. Дайте проработать компрессору не менее 4 часов и проверьте натяжку. При необходимости – подтянуть.

## 5.7 Замена сепарационного элемента

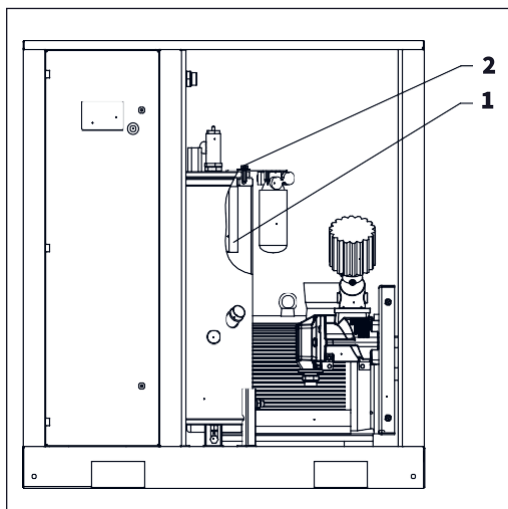


Рис. 5.7 Замена сепарационного элемента

Перед заменой приводных ремней выключите компрессор и отключите его от питания. Сепарационный элемент расположен непосредственно в баке-сепараторе. Для его замены снимите лицевую панель. Открутите крепёжные болты поз. (2) и осторожно снимите верхнюю крышку бака. Допускается отсоединить подходящие к баку рукава, если они создают трудности при замене. Удалите использованный сепаратор и установите на его место новый. Верните на место верхнюю крышку, закрутите болты и подсоедините обратно рукава.

## 5.8 Очистка радиатора

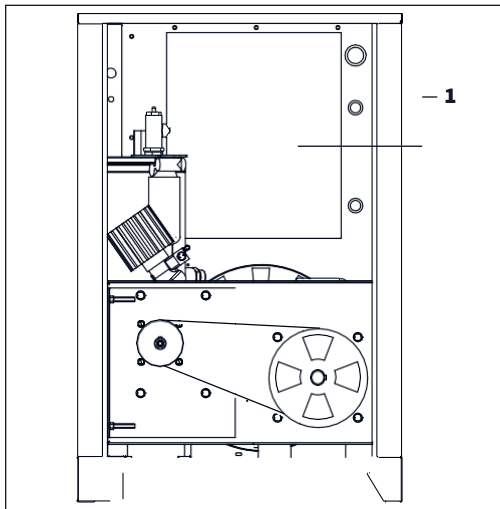


Рис. 5.8 Очистка радиатора

Для доступа к радиатору снимите лицевую или правую панели.

Старайтесь регулярно чистить радиатор для поддержания эффективного охлаждения.

Удалите любые частицы грязи из радиатора при помощи волоконной щетки; затем направьте на радиатор струю сжатого воздуха, угол между струей воздуха и плоскостью радиатора должен быть примерно 90°.

## 5.9 Проверка всасывающего клапана

Для проведения проверки всасывающего клапана, снимите воздушный фильтр как показано в пункте 5.5.

Далее откройте рукой шибберную заслонку, убедитесь в плавности ее хода и возможности полного открытия. В случае заедания или неполного хода заслонки замените клапан на новый.

## 5.10 Обслуживание электродвигателя

В процессе эксплуатации компрессора в подшипники двигателя необходимо добавлять свежую пластичную смазку, разработанную для применения в подшипниках качения. Смазку следует добавлять с помощью специального шприца для пластических смазок через масленки, расположенные в крышках подшипника двигателя. Объем добавляемой смазки можно рассчитать по формуле:

$$D^2 \text{ вала двигателя (мм)} \times 0,005 = M \text{ (масса смазки)(г)}$$

Не переполняйте смазкой подшипники сверх нормы, т.к. во время работы двигателя вся лишняя смазка будет выдавлена из подшипника внутрь двигателя.

# 6. Устранение неисправностей

## 6.1 Возможные неисправности

Проблема	Возможная неисправность	Корректирующие действия
Компрессор запускается с задержкой. Электродвигатель медленно набирает скорость.	Ремни перетянуты.	Обеспечьте ремням соответствующие натяжение. Смотри п. 5.3.
	Густое масло.	Замените масло
Присутствует свист во время работы компрессора.	Проскальзывает ремень.	Обеспечьте ремням соответствующие натяжение. Смотри п. 5.3.
Компрессор не запускается. На блоке управления индикация температурной блокировки.	Температура окружающего воздуха не соответствует необходимой (ниже +5°C или выше +40°C).	Обеспечьте необходимую температуру воздуха в помещении, где установлен компрессор.
Компрессор перегревается.	Недостаточная вентиляция помещения, в котором установлен компрессор.	Увеличьте циркуляцию воздуха.
	Слишком низкий уровень	Долейте масло (п. 5.2).
	Загрязнен радиатор.	Продуйте радиатор сжатым воздухом (п. 5.8).
Срабатывает предохранительный клапан.	Загрязнён сепаратор.	Проведите ТО с заменой сепаратора.
	Слишком высокое давление (более 13 бар).	Установите рабочее давление ниже 13 бар.

# 7. Хранение и утилизация

## 7.1 Хранение

Хранение компрессора допускается при температуре от -20° до +35°С при относительной влажности воздуха не более 85%.

## 7.2 . Утилизация

**Утилизация технологического конденсата.** Технологический конденсат содержит в себе масло. Сливайте образующийся во время работы конденсат в специальные сборщики. Сменные элементы сборщика технологического конденсата утилизируйте как промасленный обтирочный материал.

**Утилизация масляных фильтров, сепараторов.** Не допускайте попадание остатков масла на почву, в канализацию и водоемы. Сдавайте масляные фильтры и сепараторы на утилизацию в герметичной таре.

**Утилизация воздушных фильтров.** Воздушные фильтры сдавайте на утилизацию отдельно от промасленных отходов.

**Утилизация отработанного масла.** Утилизацию отработанного масла производите в герметичной таре. Не допускайте попадания в масло атмосферных осадков.

